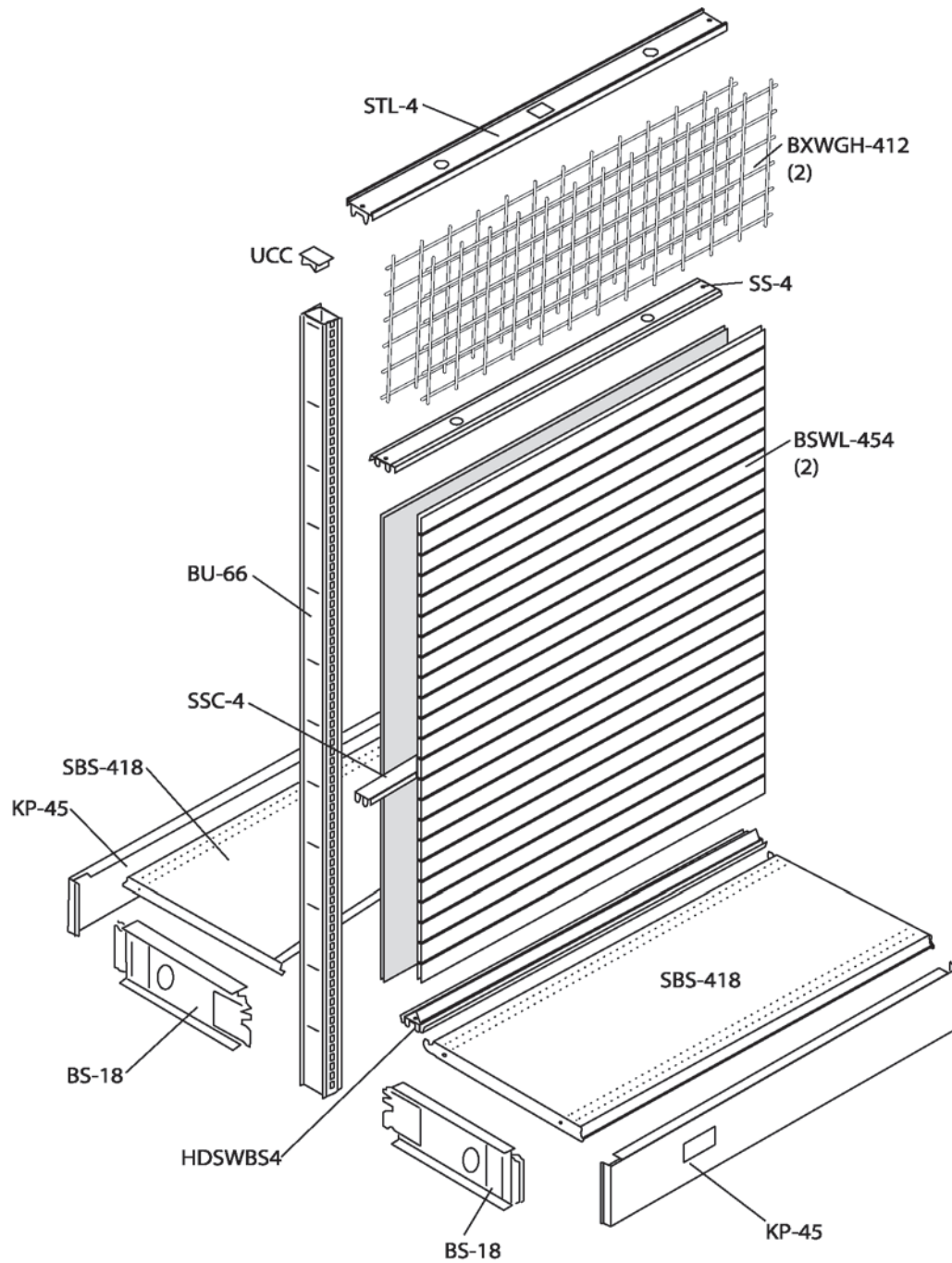
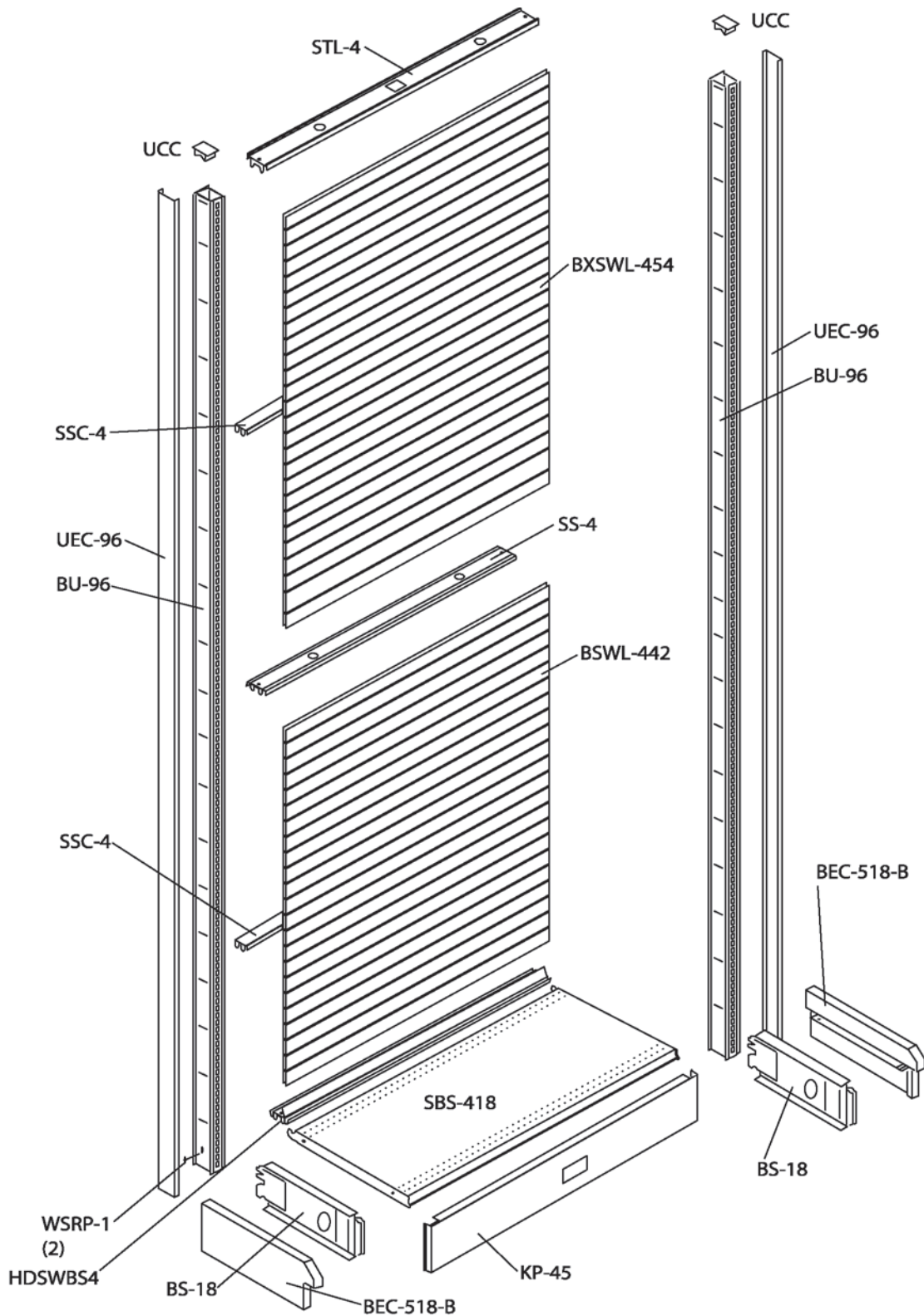


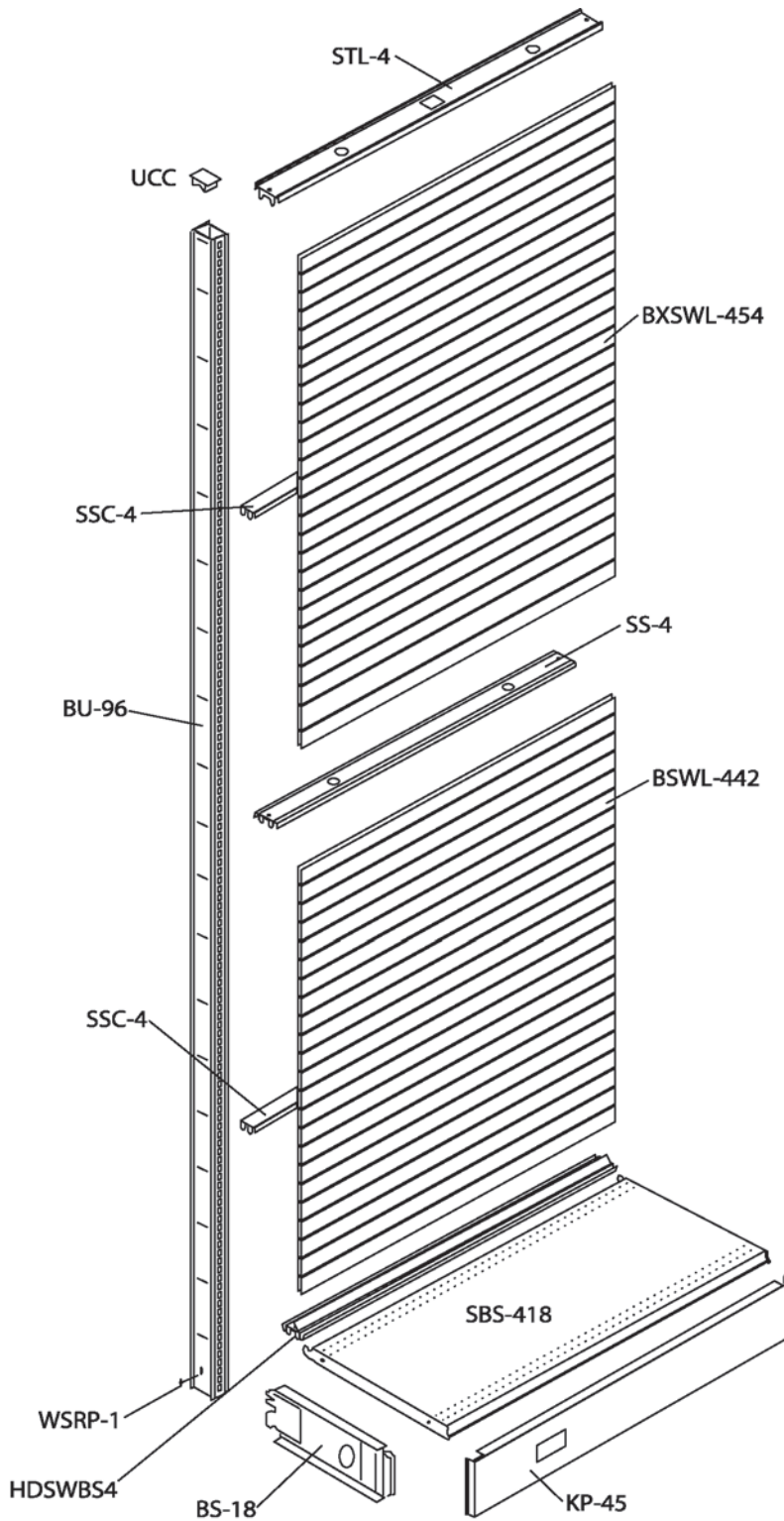
- (4) BS-18 18" BASE SHOES
- (2) BEC-518-B BASE END COVERS (2 PR)
- (2) BSWL-454 SLATWALL BACKS (SEE NOTE ON BACK PANEL PAGE FOR INSTALL)
- (2) BU-66 UPRIGHTS
- (2) BXWGH-412 EXTENSION WIRE GRID BACKS
- (1) HDSWBS4 HEAVY DUTY SLATWALL LOWER SPANNER
- (2) KP-45 KICKPLATES
- (2) SBS-418 BASE SHELVES
- (1) SS-4 SPLICER SPANNER
- (1) SSC-4 SLATWALL CENTER SPANNER - GALVANIZED
- (1) STL-4 TOP SPANNER
- (2) UCC CLEAR UPRIGHT CAPS
- (2) UEC-66 UPRIGHT END COVERS



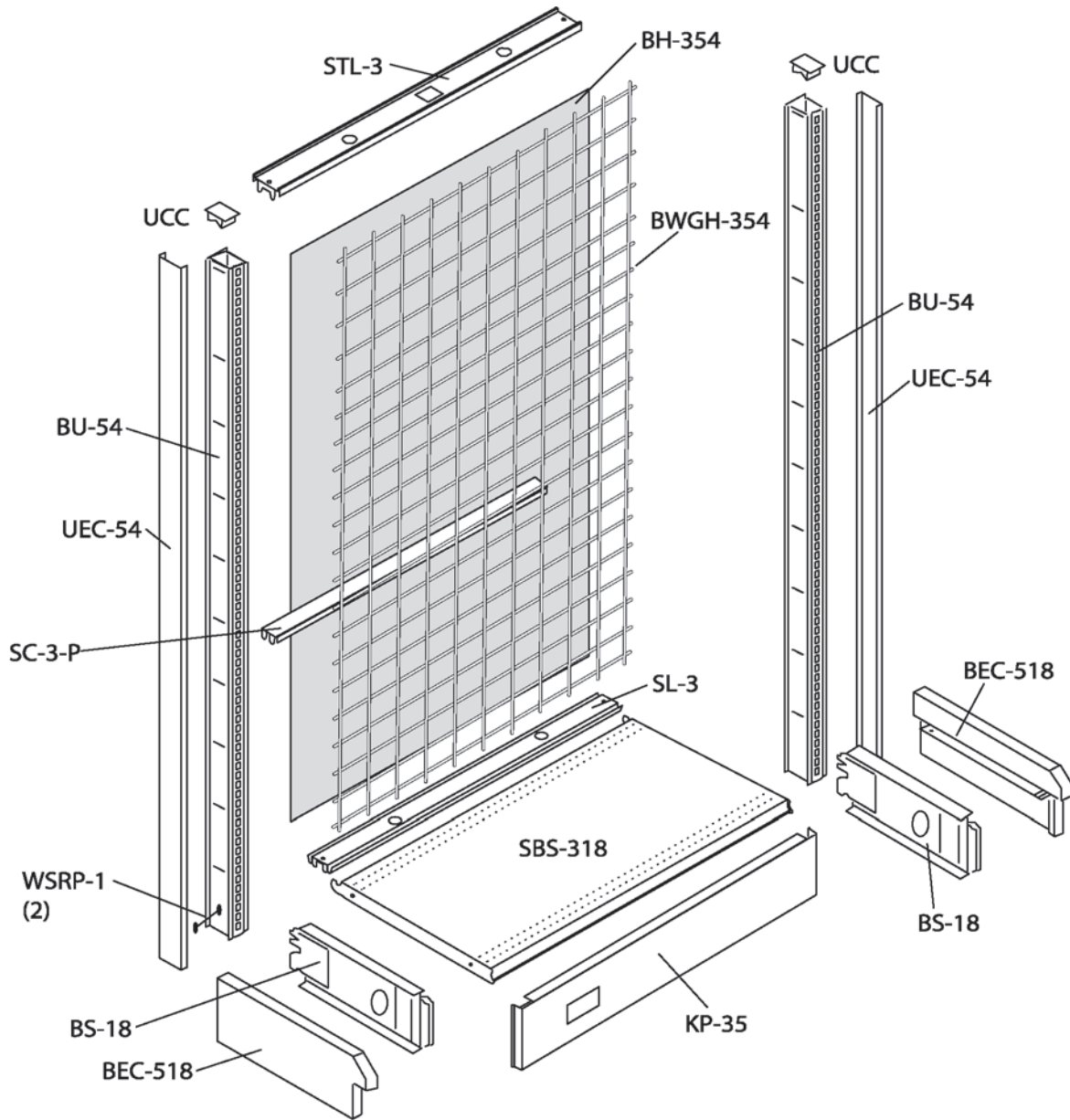
- (2) BS-18 18" BASE SHOES
- (2) BSWL-454 SLATWALL BACKS (SEE NOTE ON BACK PANEL PAGE FOR INSTALL)
- (1) BU-66 UPRIGHT
- (2) BXWGH-412 EXTENSION WIRE GRID BACKS
- (1) HDSWBS4 HEAVY DUTY SLATWALL LOWER SPANNER
- (2) KP-45 KICKPLATES
- (2) SBS-418 BASE SHELVES
- (1) SS-4 SPLICER SPANNER
- (1) SSC-4 SLATWALL CENTER SPANNER - GALVANIZED
- (1) STL-4 TOP SPANNER
- (1) STL-4 TOP SPANNER
- (1) UCC CLEAR UPRIGHT CAPS



- | | |
|--------------------------------------|---|
| (1) BEC-518-B BASE END COVERS (1 PR) | (1) SS-4 SPLICER SPANNER |
| (2) BS-18 BASE SHOES | (2) SSC-4 SLATWALL CENTER SPANNER |
| (1) BSWL-442 LOWER SLATWALL PANEL | (1) STL-4 TOP SPANNER |
| (1) BXS WL-454 UPPER SLATWALL PANEL | (2) UCC CLEAR UPRIGHT CAPS |
| (2) BU-96 UPRIGHTS | (2) UEC-96 UPRIGHT END COVERS |
| (1) HDSWBS4 HD LOWER SPANNER | (2) WSRP-1 (SEE ASY-046 FOR PROPER USE) |
| (1) KP-45 KICKPLATE | |
| (1) SBS-418 BASE SHELF | |

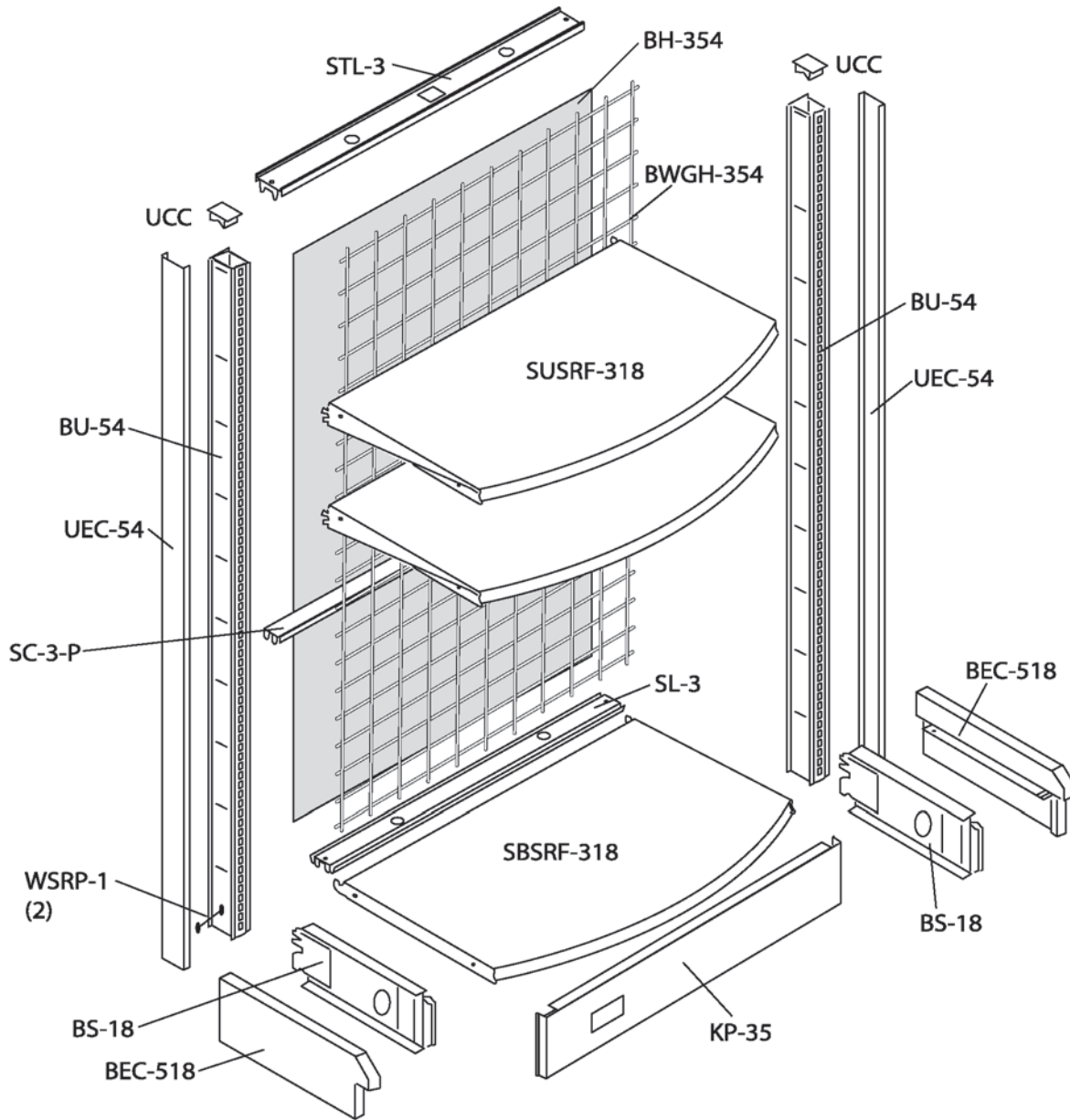


- | | |
|------------------------------------|---|
| (1) BS-18 BASE SHOES | (1) SS-4 SPLICER SPANNER |
| (1) BSWL-442 LOWER SLATWALL PANEL | (2) SSC-4 SLATWALL CENTER SPANNER |
| (1) BXSWL-454 UPPER SLATWALL PANEL | (1) STL-4 TOP SPANNER |
| (1) BU-96 UPRIGHTS | (1) UCC CLEAR UPRIGHT CAPS |
| (1) HDSWBS4 HD LOWER SPANNER | (1) WSRP-1 (SEE ASY-046 FOR PROPER USE) |
| (1) KP-45 KICKPLATE | |
| (1) SBS-418 BASE SHELF | |



- (1) BEC-518-B BASE END COVERS (1PR)
- (1) BH-354-P2S HARDBOARD PACK PANEL
- (2) BS-18 BASE SHOWS
- (2) BU-54 UPRIGHTS
- (1) BWHG-354 WIRE GRID BACK
- (1) KP-35 KICKPLATE
- (1) SBS-318 BASE SHELF
- (1) SC-3-P CENTER SPANNER PAINTED
- (1) SL-3 LOWER SPANNER
- (1) STL-3 TOP SPANNER
- (2) UCC CLEAR UPRIGHT CAPS
- (2) UEC-54 UPRIGHT END COVERS
- (2) WSRP-1 RETAINER PINS (SEE ASY-046 FOR PROPER USE)

NOTE: THE BACK PANEL (BH-354-P2S) IS BLACK ON ONE SIDE AND VALENCIA ON THE OTHER. THE VALENCIA SIDE MUST FACE OUT, TOWARD THE WIRE PANEL!



- (1) BEC-518-B BASE END COVERS (1PR)
- (1) BH-354-P2S HARDBOARD PACK PANEL
- (2) BS-18 BASE SHOWS
- (2) BU-54 UPRIGHTS
- (1) BWGH-354 WIRE GRID BACK
- (1) KP-35 KICKPLATE
- (1) SBS-318 RADIUS FRONT BASE SHELF
- (2) SUSRF-318 RADIUS FRONT UPPER SHELVES
- (1) SC-3-P CENTER SPANNER PAINTED
- (1) SL-3 LOWER SPANNER
- (1) STL-3 TOP SPANNER
- (2) UCC CLEAR UPRIGHT CAPS
- (2) UEC-54 UPRIGHT END COVERS
- (2) WSRP-1 RETAINER PINS (SEE ASY-046 FOR PROPER USE)

NOTE: THE BACK PANEL (BH-354-P2S) IS BLACK ON ONE SIDE AND VALENCIA ON THE OTHER. THE VALENCIA SIDE MUST FACE OUT, TOWARD THE WIRE PANEL!