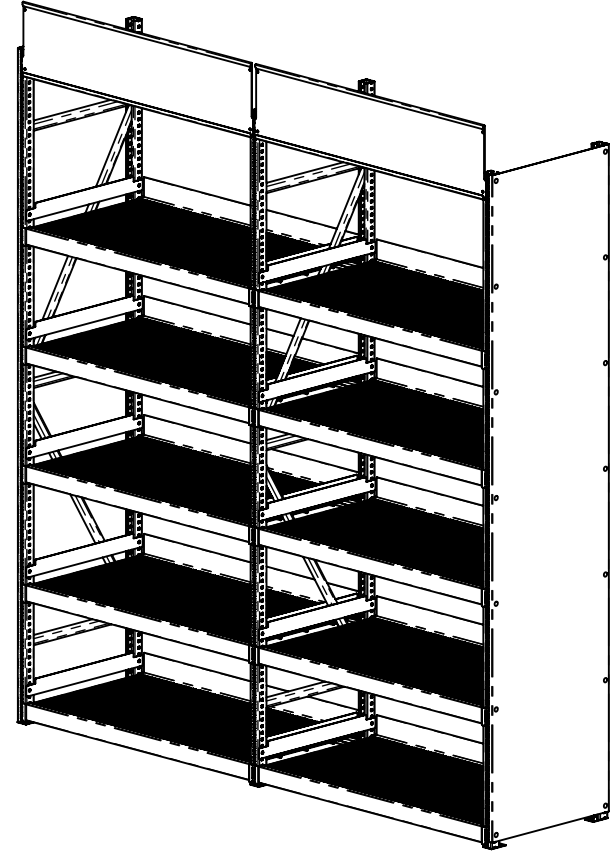
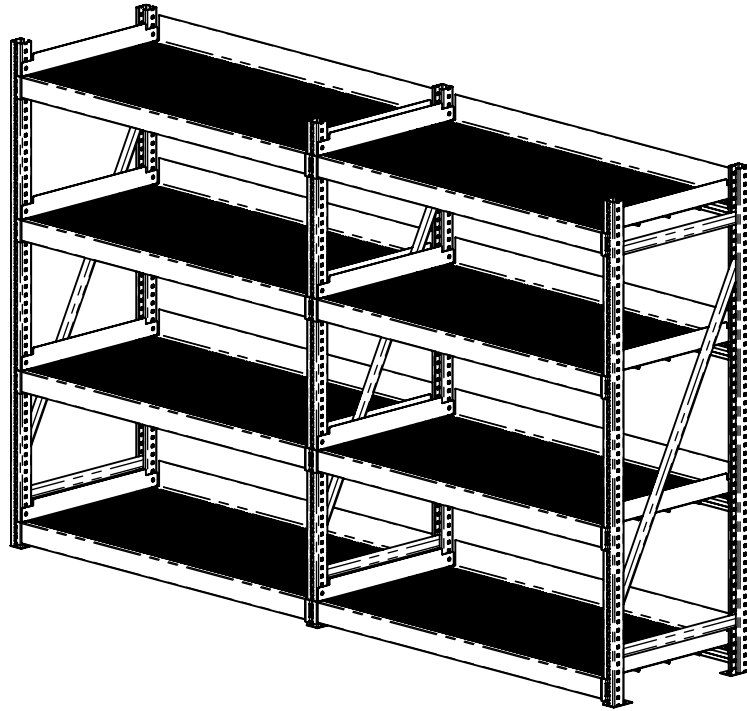


# MAXIRACK ASSEMBLY INSTRUCTIONS




ITEM	PART NO.	MADIX ORDER CODE	DESCRIPTION
1	100653050	MRF2060FA-PC151	MAXI RK UPR FRM 20X60 1IN OC SLOT SS
2	100648183	LDWSDS20-PC151	DECK SUPPORT LD 20IN SS
3	100650187	WSHMWD4820-1/2X6-1	WIRE DECK 48X20 1/2 X 6 SS
4	100650185	MRFBLD48-PC151	MAXI RACK FRONT BEAM 48IN LD SS
5	100652869	WSSPR20-PC151	SIDE PRODUCT MTL RETAINER 20IN SS
6	100648282	HMWMSRPR48-PC151	BACK PLATE MTL STOPPPER 48IN SS
7	100595491	WSTC-1-CL	TOP CAP F/UPRT FRAME FRONT ONLY CLR 1PK
8	100653052	WSBBC-4-PC151	BACK TO BACK CONNECTOR PLATE & HRDWR 4IN

ITEM	PART NO.	MADIX ORDER CODE	DESCRIPTION
1	100653051	MRF22102FA-PC151	MAXI RK UPR FRM 22X102 1IN OC SLOT SS
2	100648184	LDWSDS22PC151	DECK SUPPORT LD 22IN SS
3	100653129	WSHMWD4822-1/2X6-1	WIRE DECK 48X22 1/2 X 6 SS
4	100650185	MRFBLD48-PC151	MAXI RACK FRONT BEAM 48IN LD SS
5	100653060	WSSPR22-PC151	SIDE PRODUCT MTL RETAINER 22IN SS
6	100648282	HMWMSRPR48-PC151	BACK PLATE MTL STOPPPER 48IN SS
7	100648190	BRIH48-PC151	SIGN HOLDER 48IN F/102IN TALL SECTNS SS
8	100649133	WSMEP22102-PC151	END PANEL METAL 22X102IN SS

FOR DECK SUPPORT PLACMENT, BEAM INSTALLATION AND SETUP, PLEASE REFER TO ASY-061

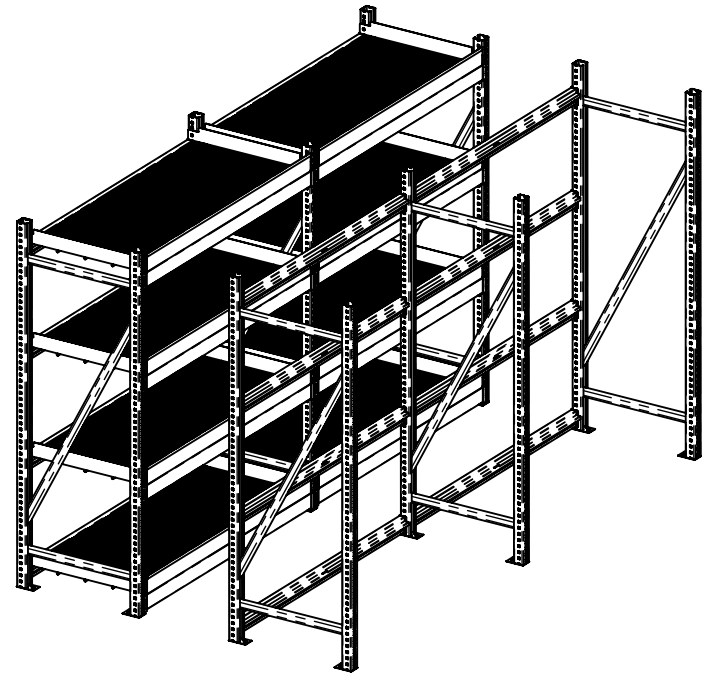
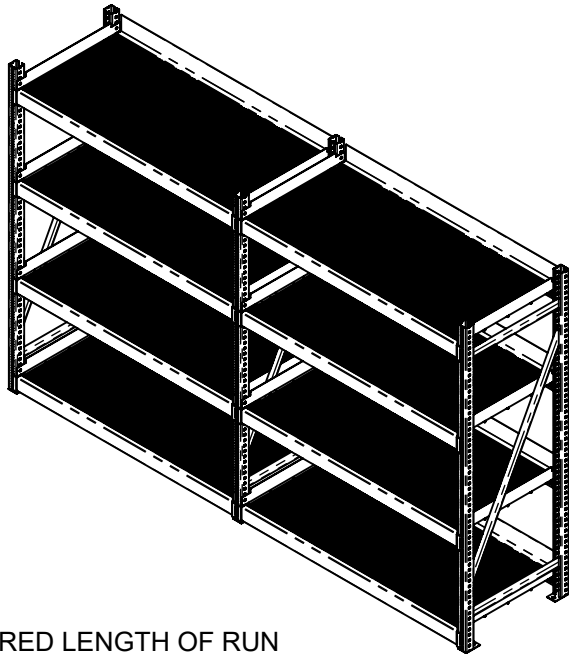
REAR PANEL KIT DETAILS ON PAGE 5.

**DO NOT PUT ANY SHELVES INTO THE SLOTS ON THE FRONT OF THE UPRIGHT FRAMES. FOR BEAMS ONLY.**

 <b>INSTALLATION INSTRUCTIONS</b> <small>THIS SUPPLIER PREEXISTING MATERIAL IS EXCLUSIVELY THE INTELLECTUAL PROPERTY OF MADIX INC. ALL RIGHTS ARE RESERVED BY MADIX INC. © 2019 20984 AL HWY 9 GOODWATER, AL 35072 256-839-6354 PO BOX 729 TERRELL, TX 75160 214-515-5400</small>	DWG NO.:
	<b>ASY-80051243</b>
	CHANGE #:
	<b>500000021897</b>
DESC: MAXIRACK GENERAL ASY	01
DATE: 20191001	DESIGNER: MSAWKA
	SHEET 1 OF 5

4 3 2 1

SET BEAM LEVELS. BEAM LOCATIONS ON THIS PRINT ARE FOR VISUAL APPEARANCE ONLY

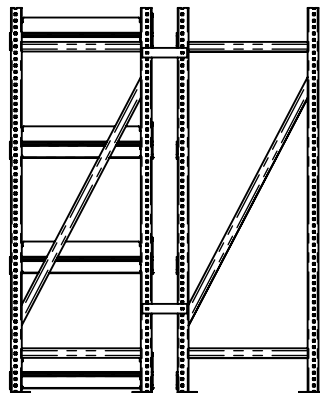


STEP 1

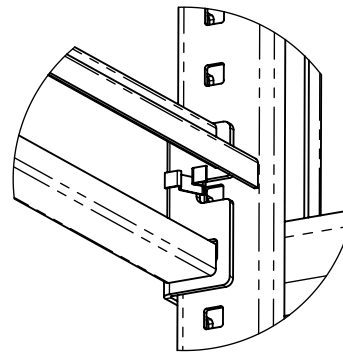
- SETUP DESIRED LENGTH OF RUN
- INSTALL BEAMS AT THE BOTTOM OF FRAMES FOR FIRST LEVEL
- INSTALL TWO DECK SUPPORTS PER LEVEL
- SET WIRE GRIDS INTO PLACE
- LIFT REAR OF GRID TO INSERT REAR PRODUCT RETAINER
- INSTALL SIDE PRODUCT RETAINERS AS PER SHEET 2

STEP 2

- SETUP SECOND RUN WITH ONLY THE BEAMS ADJACENT TO THE FIRST RUN INSTALLED ON THE FRAMES



- STEP 3
- JOIN BACK-TO-BACK FRAMES BY INSTALLING WIDE SPAN BACK-TO-BACK CONNECTORS THROUGH SQUARE HOLES IN SIDES OF FRAME POSTS



STEP 4

- INSTALL DART CLIPS IN ALL BEAMS HORIZONTALLY

- DART CLIPS ONLY REQUIRED IF DECK SUPPORTS NOT PRESENT

**madix**  
**INSTALLATION INSTRUCTIONS**

THIS SUPPLIER PREEEXISTING MATERIAL IS EXCLUSIVELY THE INTELLECTUAL PROPERTY OF MADIX INC. ALL RIGHTS ARE RESERVED BY MADIX INC. © 2019  
 20984 AL HWY 9 GOODWATER, AL 35072 256-839-6354  
 PO BOX 729 TERRELL, TX 75160 214-515-5400

DWG NO.:

**ASY-80051243**

CHANGE #:

500000021897

DESC: MAXIRACK GENERAL ASY

01

DATE: 20191001

DESIGNER: MSAWKA

SHEET 2 OF 5

4

3

2

1

D

C

B

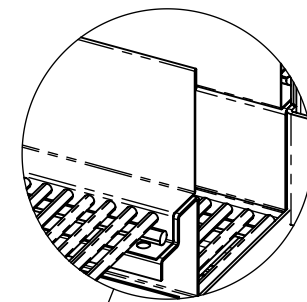
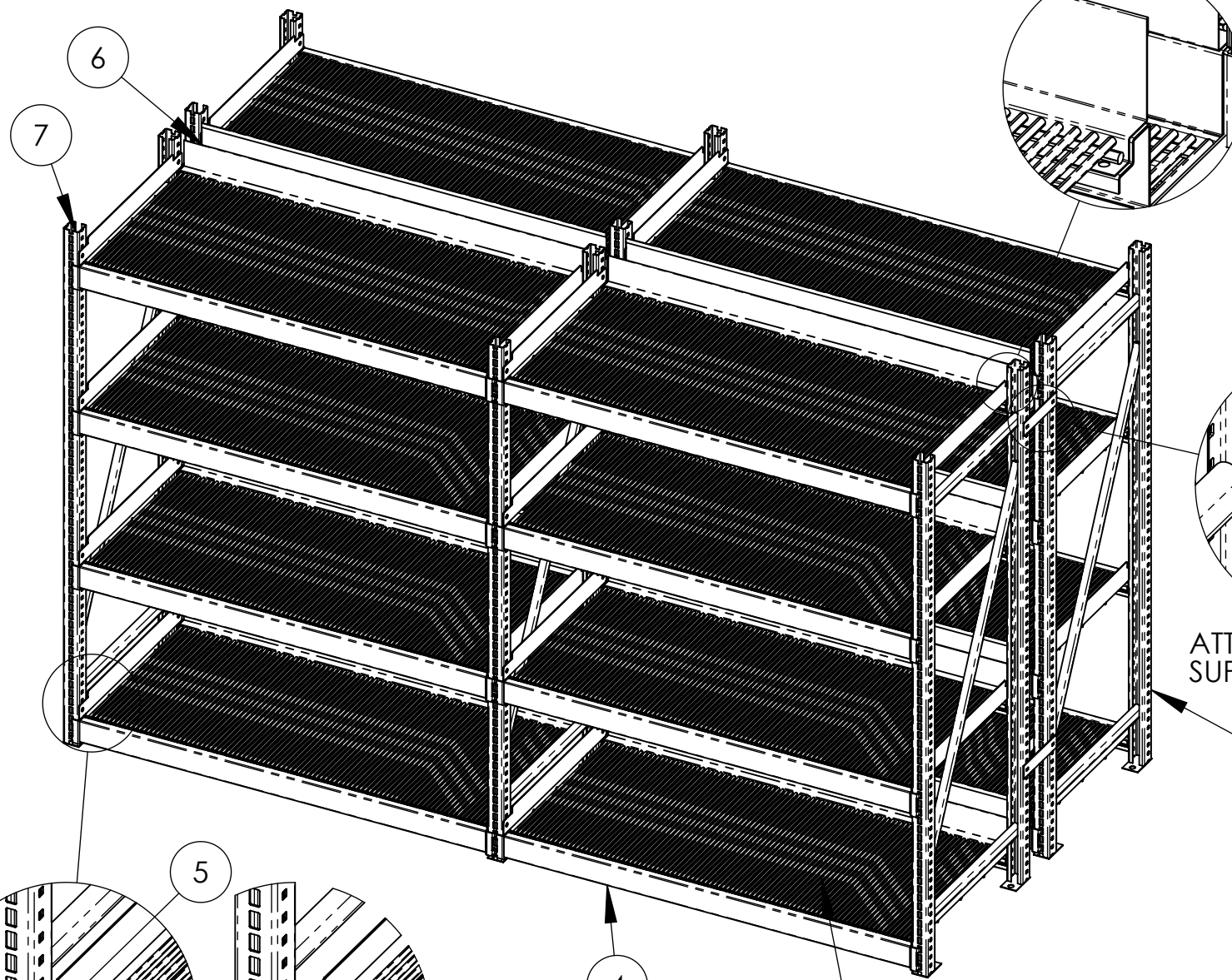
A

D

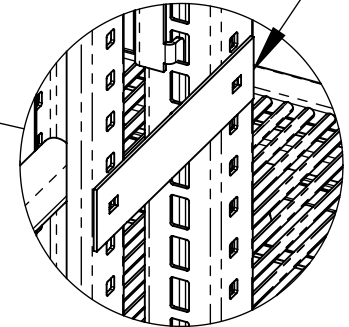
C

B

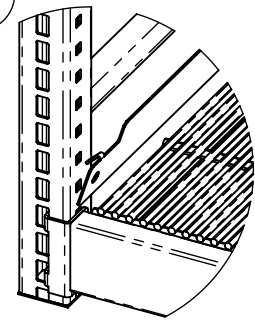
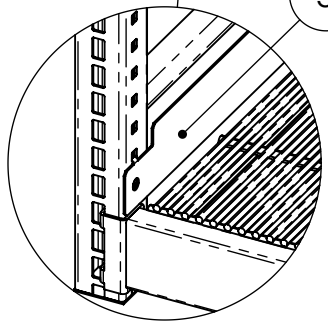
A



REAR PRODUCT  
RETAINER SEATS  
UNDER WIRE GRID



ATTACH WSBBC WITH  
SUPPLIED HARDWARE



SIDE PRODUCT RETAINER  
TILTS INTO SQUARE HOLES

**madix**  
**INSTALLATION INSTRUCTIONS**

THIS SUPPLIER PREEXISTING MATERIAL IS EXCLUSIVELY  
THE INTELLECTUAL PROPERTY OF MADIX INC. © 2019  
ALL RIGHTS ARE RESERVED BY MADIX INC. © 2019  
20984 AL HWY 9 GOODWATER, AL 35072 256-839-6354  
PO BOX 729 TERRELL, TX 75160 214-515-5400

DWG NO.:  
**ASY-80051243**  
CHANGE #:  
500000021897

DESC: MAXIRACK GENERAL ASY	01
DATE: 20191001	DESIGNER: MSAWKA
SHEET 3 OF 5	

4

3

2

1

4

3

2

1

D

D

C

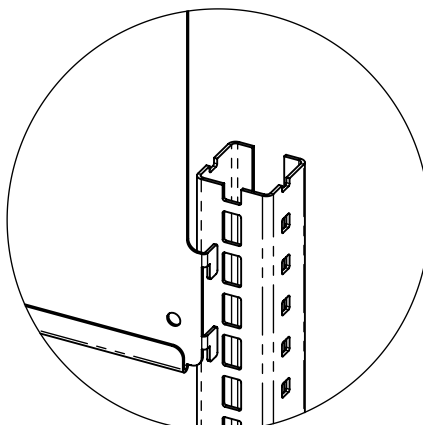
C

B

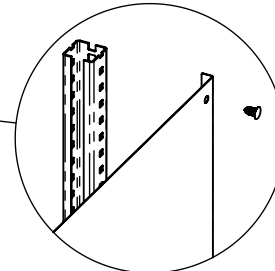
B

A

A



INSTALL SIGN  
HOLDERS AT  
TOP OF UNIT



INSTALL END PANELS  
USING PINETREE  
CLIPS PROVIDED

END PANELS USED TO CLOSE  
OFF END OF WALL UNITS

5

7

6

1

8

2,3

4

**madix**  
**INSTALLATION INSTRUCTIONS**

THIS SUPPLIER PREEXISTING MATERIAL IS EXCLUSIVELY  
THE INTELLECTUAL PROPERTY OF MADIX INC. © 2019  
ALL RIGHTS ARE RESERVED BY MADIX INC. © 2019  
20984 AL HWY 9 GOODWATER, AL 35072 256-839-6354  
PO BOX 729 TERRELL, TX 75160 214-515-5400

DWG NO.:  
**ASY-80051243**

CHANGE #:  
**500000021897**

DESC: MAXIRACK GENERAL ASY	01
DATE: 20191001	DESIGNER: MSAWKA
SHEET 4 OF 5	

4

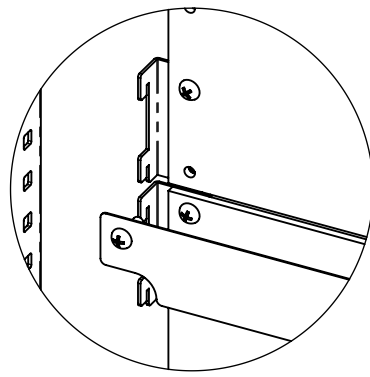
3

2

1

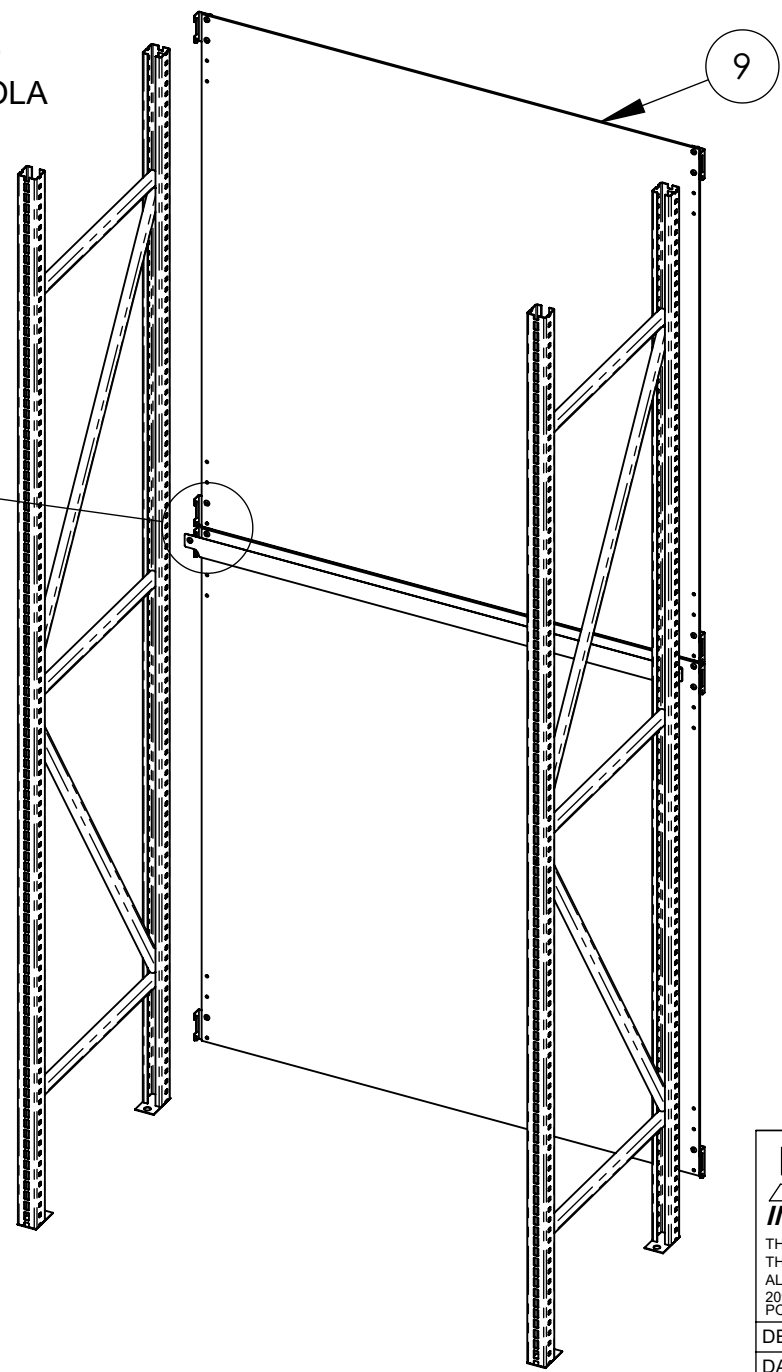
ITEM	PART NO.	MADIX ORDER CODE	DESCRIPTION
1	100653783	MRRCP48102-1	MAXIRACK REAR COVER PANEL KIT 48X102 SS

REAR PANEL KIT ONLY USED WHEN WALL UNIT IS BACK TO BACK WITH ANOTHER GONDOLA OR WAREHOUSE RACKING SYSTEM.



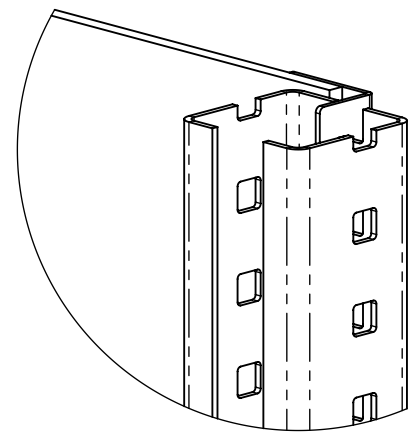
**STEP 1**  
 -INSTALL BRACKETS TO PANEL KIT WITH PROVIDED HARDWARE  
 -IF BEAM COVERS GAP BETWEEN PANEL THEN INSTALL ALL HARDWARE  
 -IF GAP IS NOT COVERED BY BEAM, INSTALL COVER.

**STEP 2 (OPTIONAL)**  
 -IF BRACKET LOCATION IS BLOCKED BY A BEAM, LOWER OR RAISE BRACKET AND USE DIFFERENT MOUNTING HOLES.




INSTALL REAR PANEL KIT AFTER BEAMS ARE IN PLACE.

BEAMS CANNOT BE MOVED ONCE REAR PANEL KIT IS INSTALLED WITHOUT REMOVAL.



INSTALL BACK PANEL KIT TOP PANEL IN TOP SLOT

 <b>INSTALLATION INSTRUCTIONS</b> <small>THIS SUPPLIER PREEXISTING MATERIAL IS EXCLUSIVELY THE INTELLECTUAL PROPERTY OF MADIX INC. ALL RIGHTS ARE RESERVED BY MADIX INC. © 2019 20984 AL HWY 9 GOODWATER, AL 35072 256-839-6354 PO BOX 729 TERRELL, TX 75160 214-515-5400</small>		DWG NO.:
		<b>ASY-80051243</b>
DESC: MAXIRACK GENERAL ASY		CHANGE #:
DATE: 20191001		500000021897
DESIGNER: MSAWKA	01	
SHEET 5 OF 5		