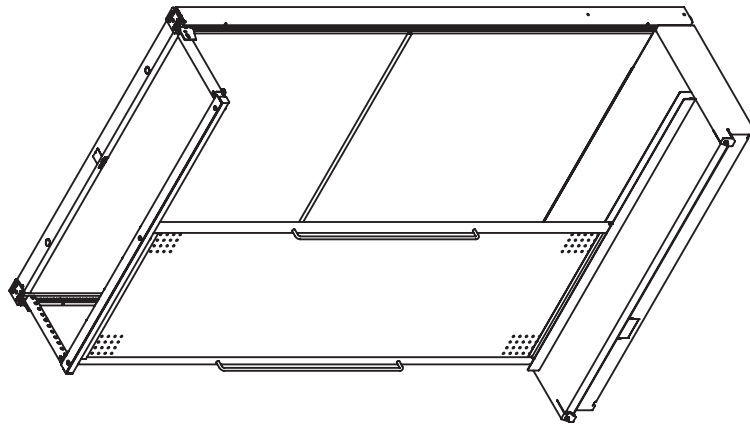
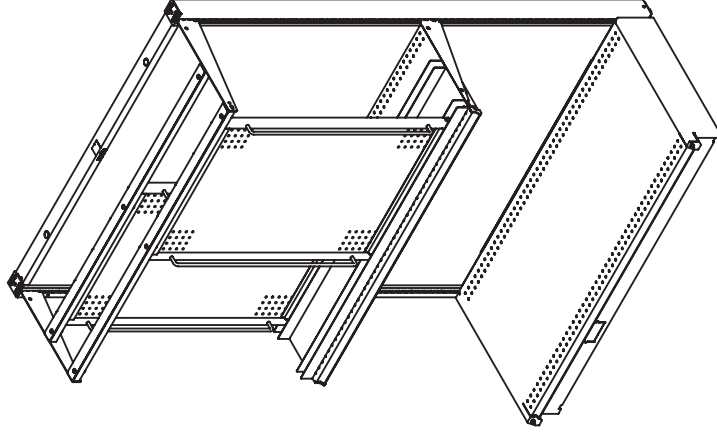


ASSEMBLY INSTRUCTIONS FOR SLIDING PEGBOARD PANEL INSTALLATION

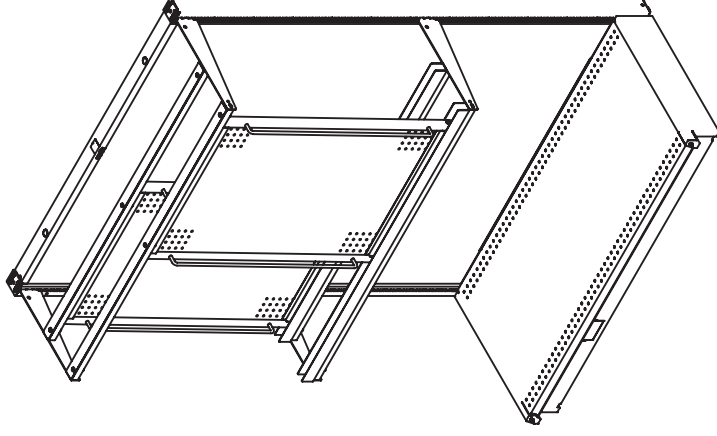


METHOD 1: INSTALLATION OF BOTTOM TRACKS ONTO BASE SHELF OR UPPER SHELF.



THERE ARE 2 MEANS TO INSTALL THE SLIDING PEG PANELS ON BOTTOM AS SHOWN ABOVE. LIKEWISE, THERE ARE DIFFERENT KINDS OF VERTICAL DIVIDER BARS THAT CAN BE USED TO INSTALL THE SLIDING PEG PANELS ON TOP.

REFER TO SHEET 2 TO IDENTIFY THE PART YOU HAVE PURCHASED AND FIND THE RELEVANT ASSEMBLY INSTRUCTIONS IN THIS DOCUMENT



METHOD 2: INSTALLATION OF BOTTOM TRACKS ONTO DOUBLE VERTICAL DIVIDER BARS



WARNING (For Wood Products Only): Drilling, sawing, sanding or machining wood products can expose you to wood dust, a substance known to the State of California to cause cancer. Avoid inhaling wood dust or use a dust mask or other safeguards for personal protection. For more information go to www.P65Warnings.ca.gov/wood.



CAUTION: THIS PRODUCT REQUIRES 2 INDIVIDUALS FOR INSTALLATION DUE TO PRODUCT WEIGHT AND THE NATURE OF CERTAIN SIMULTANEOUS TASKS



INSTALLATION INSTRUCTIONS

THIS SUPPLIER PREEEXISTING MATERIAL IS EXCLUSIVELY THE INTELLECTUAL PROPERTY OF MADIX INC. © 2019 ALL RIGHTS ARE RESERVED BY MADIX INC. © 2019 20884 AL HWY 9 GOODWATER, AL 35072 256-639-6354 PO BOX 728 TERRELL, TX 75160 214-515-5400

DWG NO.:

ASY-80036257

CHANGE #:

500000021133

DESC: SLIDING PEG PANEL VDB MOUNT INSTALLATION

04

DATE: 20190219

DESIGNER: HRODRIGUEZ

SHEET 1 OF 5

1

2

3

4

D

C

B

A

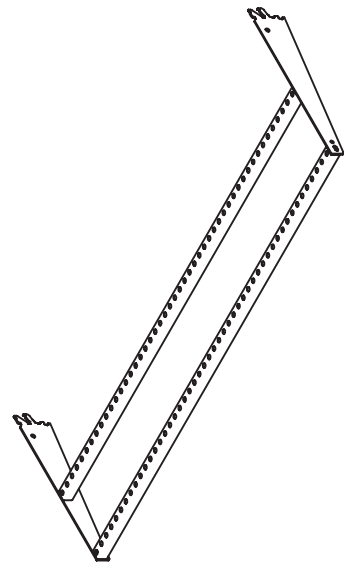
1

2

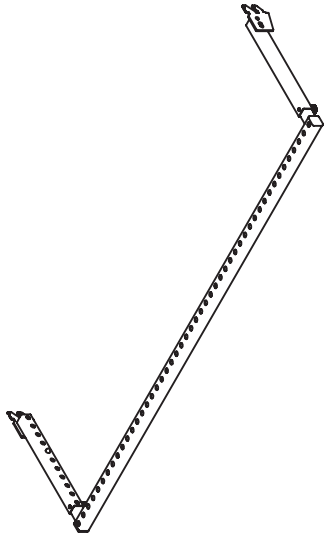
3

4

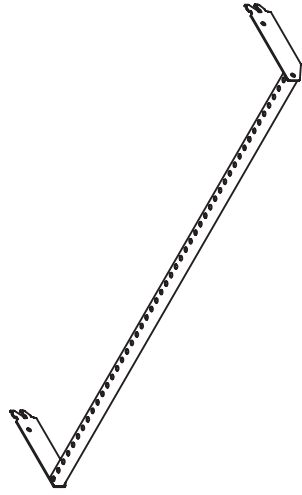
STEP 1: IDENTIFY THE KIND OF VERTICAL DIVIDER BAR YOU HAVE PURCHASED. WHILE OTHER VARIATIONS MAY EXIST, THE 3 PRIMARY VERSIONS ARE LISTED BELOW. INSTALLATION INSTRUCTIONS ARE MOSTLY CONSISTENT REGARDLESS OF WHICH VDB WAS PURCHASED, BUT SOME MINOR DIFFERENCES DO APPLY. THESE DIFFERENCES WILL BE CALLED OUT IN BOXES



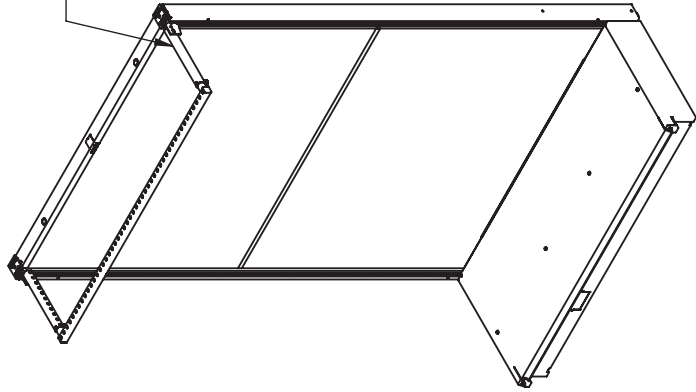
VDBD(NW)(ND)(ID)



VDBAB(NW)(ND)



VDB(C)-(NW)(ND)



HOOK YOUR VERTICAL DIVIDER BAR INTO THE TOP-MOST SLOT OF YOUR MAXILINE UPRIGHT



IF USING THE VDBAB, TIGHTEN THE THUMB SCREW AS FAR AS IT WILL GO AFTER ADJUSTING TO THE DESIRED DEPTH

 INSTALLATION INSTRUCTIONS <small>THIS SUPPLIER PREEXISTING MATERIAL IS EXCLUSIVELY THE INTELLECTUAL PROPERTY OF MADIX INC. © 2019 ALL RIGHTS ARE RESERVED BY MADIX INC. © 2019 20884 AL HWY 9 GOODWATER, AL 35072 256-639-6354 PO BOX 729 TERRELL, TX 75160 214-515-5400</small>	DWG NO.:	ASY-80036257
	CHANGE #:	500000021133
	DESC: SLIDING PEG PANEL VDB MOUNT INSTALLATION	04
DATE: 20190219	DESIGNER: HRODRIGUEZ	SHEET 2 OF 5

1

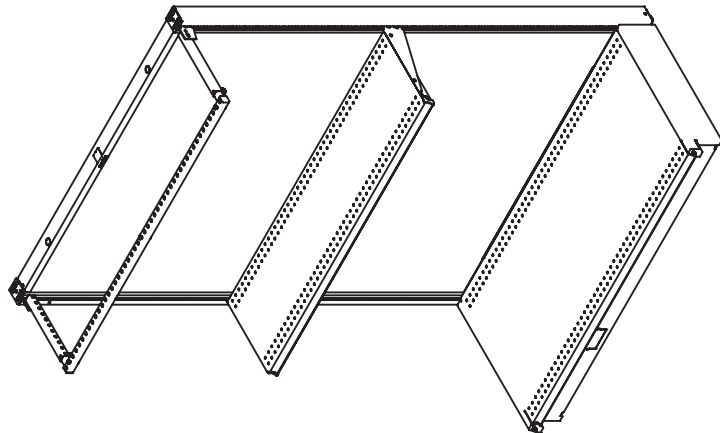
2

3

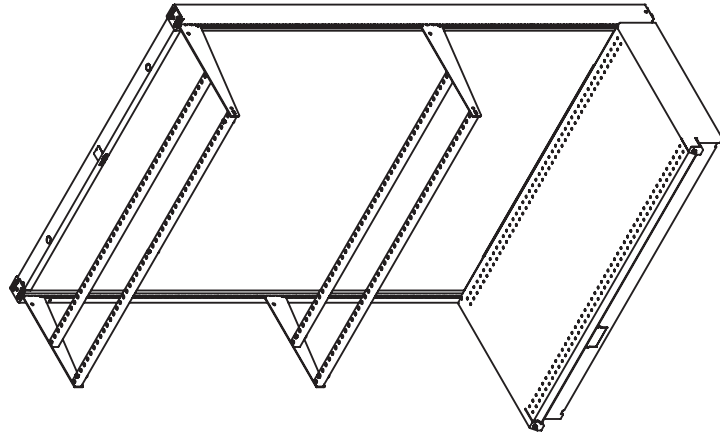
4

NOTE: SKIP STEP 2 IF INTENDING TO HAVE THE BOTTOM TRACKS OVER THE BASE SHELF

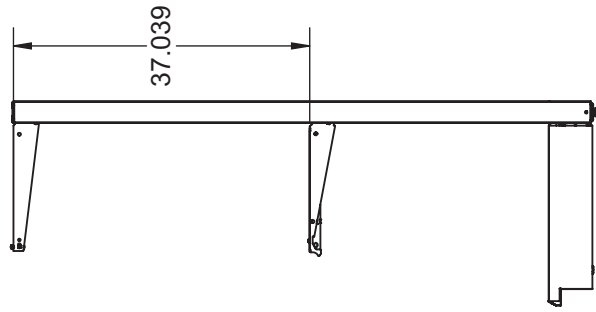
STEP 2: IF USING AN UPPER SHELF OR A VDB TO PLACE THE BOTTOM TRACK, INSERT THE UPPER SHELF OR VDBD INTO THE UPRIGHTS. THE UPERSHELF SHOULD BE PLACED (NH-5) SLOTS BELOW THE TOP MOST SHELF. FOR EXAMPLE, IF YOU ORDERED A NH42 TALL PEG PANEL, PLACE THE UPRIGHT 37 SLOTS BELOW THE TOP-MOST SLOT.



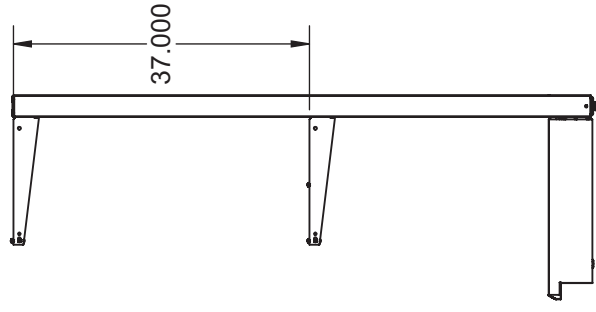
**EXAMPLE WITH
UPPER SHELF**



**EXAMPLE WITH
VDBD ON BOTTOM**



**EXAMPLE WITH
UPPER SHELF**



**EXAMPLE WITH
VDBD ON BOTTOM**

D

C

B

A

 INSTALLATION INSTRUCTIONS <small>THIS SUPPLIER PREEEXISTING MATERIAL IS EXCLUSIVELY THE INTELLECTUAL PROPERTY OF MADIX INC. © 2019 20884 AL HWY 9 GOODWATER, AL 35072 256-639-6354 PO BOX 728 TERRELL, TX 75160 214-515-5400</small>	DWG NO.:	ASY-80036257
	CHANGE #:	500000021133
DESC: SLIDING PEG PANEL VDB MOUNT INSTALLATION	DATE: 20190219	DESIGNER: HRODRIGUEZ
		04
		SHEET 3 OF 5

1

2

3

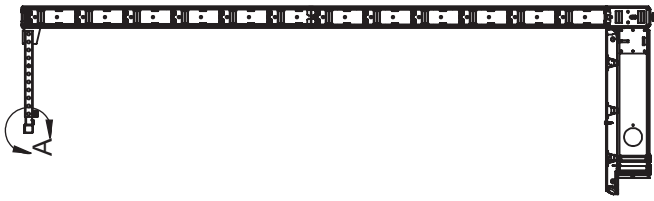
4

A

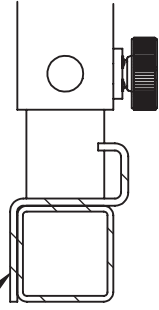
B

C

D



PANEL TRACK

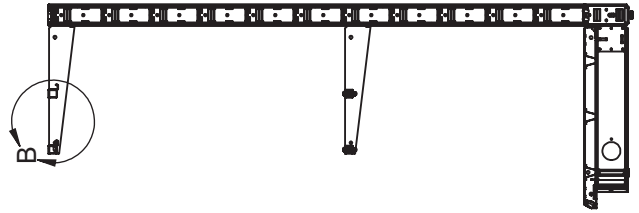


DETAIL A
SCALE 1 : 2

IF USING A VDBD, START WITH THE REAR CROSSBAR FOR STEPS 3-5



DETAIL B
SCALE 1 : 4



TRACK COVER

PANEL TRACK


DETAIL C
SCALE 1 : 2

STEP 3: HAVE ALL FASTENERS AND THE TOP COVER OF THE SLIDING PEG PANEL IN AN EASILY ACCESSIBLE PLACE PRIOR TO THIS STEP. PLACE THE TRACK ON THE TOP OF THE CROSSBAR OF THE VDB, WITH THE U FLANGE FACING TOWARDS THE INSIDE. ONE PERSON MUST HOLD THE TRACK IN PLACE WHILE THE OTHER PERSON PROCEEDS TO STEP 4

STEP 4: ACQUIRE THE SLIDING PEG PANELS AND PLACE THE PANEL INTO POSITION ON THE TRACK. **DO NOT LET GO OF THE PANEL. DOING SO MAY RESULT IN INJURY.** WHILE ONE PERSON HOLDS THE PANEL IN PLACE. THE PERSON HOLDING THE TRACK SHOULD PROCEED TO STEP 5

STEP 5: PLACE THE TRACK COVER OVER THE TRACK. USE THE PROVIDED 1.500 IN MACHINE SCREW, CAP NUT, AND WASHER TO FASTEN THE TRACK, COVER, AND CROSS BAR TOGETHER.

IF USING THE VDBD, REPEAT STEPS 3-5 TO INSTALL THE SECOND PANEL

 INSTALLATION INSTRUCTIONS <small>THIS SUPPLIER PREEEXISTING MATERIAL IS EXCLUSIVELY THE INTELLECTUAL PROPERTY OF MADIX INC. © 2019 ALL RIGHTS ARE RESERVED BY MADIX INC. © 2019 20884 AL HWY 9 GOODWATER, AL 35072 256-639-6354 PO BOX 729 TERRELL, TX 75160 214-515-5400</small>	DWG NO.:	ASY-80036257
	CHANGE #:	500000021133
DATE: 20190219	DESIGNER: HRODRIGUEZ	DESC: SLIDING PEG PANEL VDB MOUNT INSTALLATION
		04
		SHEET 4 OF 5

1

2

3

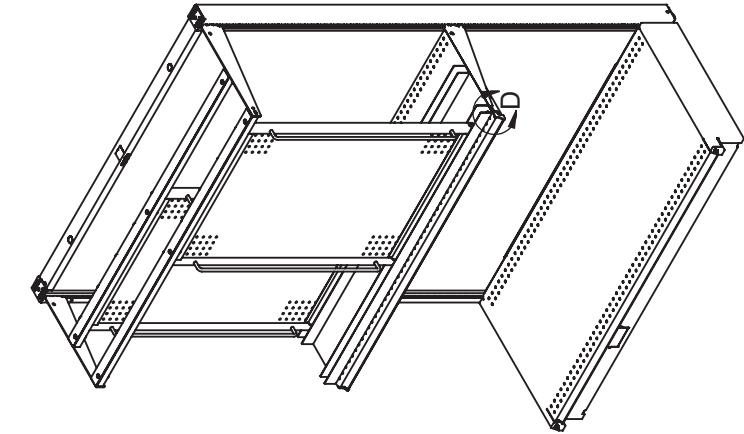
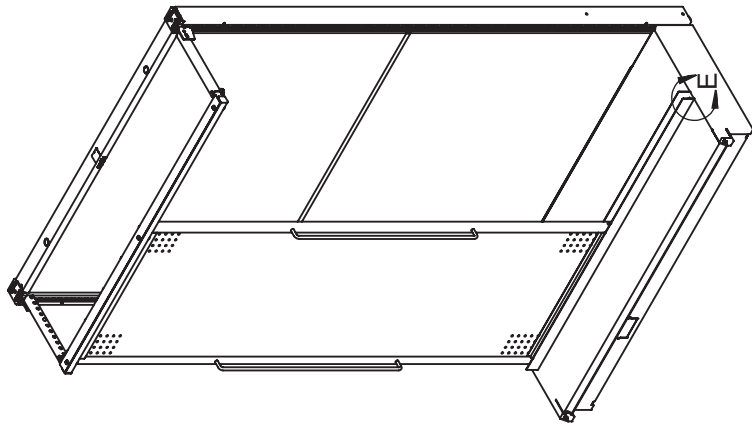
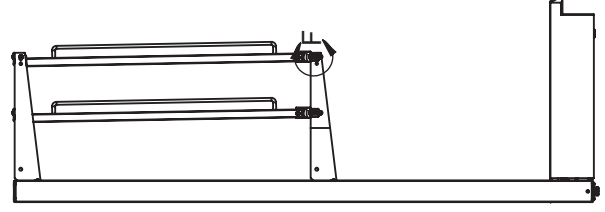
4

D

C

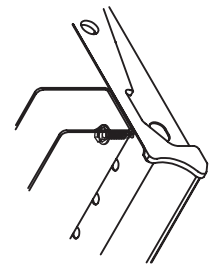
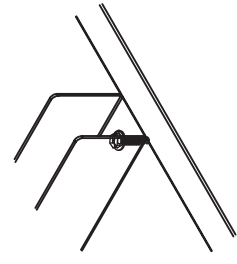
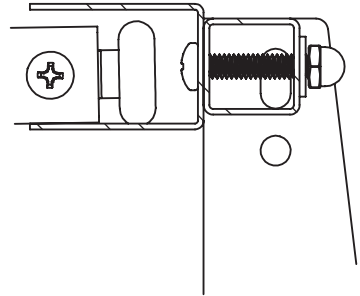
B

A



STEP 6 (USING METHOD 2): PLACE THE BOTTOM TRACKS ON THE VDBD CROSS BARS. USE THE PROVIDED MACHINE SCREWS, WASHERS, AND NUTS TO FASTEN THE BOTTOM TRACK ON THE 2 SLOTS IN THE TRACK.

STEP 6 (USING METHOD 1): USE THE SHEET METAL SCREWS TO FASTEN THE BOTTOM TRACK TO THE SHELF USING THE 4 CLEARANCE HOLES AS GUIDES.



 INSTALLATION INSTRUCTIONS <small>THIS SUPPLIER PREEEXISTING MATERIAL IS EXCLUSIVELY THE INTELLECTUAL PROPERTY OF MADIX INC. ALL RIGHTS ARE RESERVED BY MADIX INC. © 2019 20884 AL HWY 9 GOODWATER, AL 35072 256-639-6354 PO BOX 729 TERRELL, TX 75160 214-515-5400</small>	DWG NO.:	ASY-80036257
	CHANGE #:	500000021133
DESC: SLIDING PEG PANEL VDB MOUNT INSTALLATION		04
DATE: 20190219	DESIGNER: HRODRIGUEZ	SHEET 5 OF 5

1

2

3

4