

VERSA/LEDGE LIGHT ASSEMBLY

ASY-80034765

INSTALLATION INSTRUCTIONS

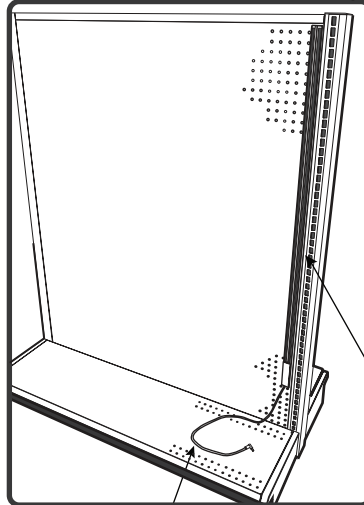
1

Attach BUS BAR to back panel with double sided tape (provided). BUS BAR should be offset 1/8" from the edge at the side of the retainer. BUS BAR must be installed with connections at the bottom, as shown.

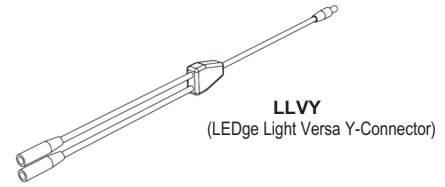
Note: If needed, supplied BUS BAR can be trimmed to fit shorter panels using a fine-toothed saw.

1

INSTALL BUS BAR



CORD ON BUS BAR MUST BE ON BOTTOM



LLVY
(LEDge Light Versa Y-Connector)

Note: LEDge Light Versa Y-Connector (LLVY) can be used to connect multiple BUS BARS (LLBB) to power supply (LLPS). **Warning: do not exceed power supply capacities shown below**

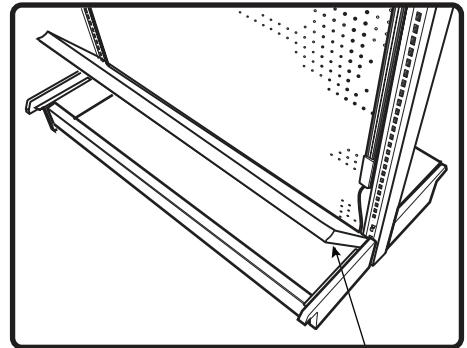
SHELF WIDTH	PART NUMBER	ACTUAL LENGTH	DC WATTS	MAX # LIGHTS PER POWER SUPPLY
24"	LLS24	22 1/2	4.8W	20
36"	LLS36	34 1/2	7.2W	13
48"	LLS48	46 1/2	9.6W	10

2

Remove BASE SHELF by lifting up at the front and pull towards yourself. Place power cord underneath BASE SHELF.

2

REMOVE BASE SHELF



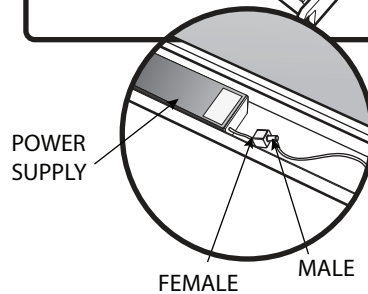
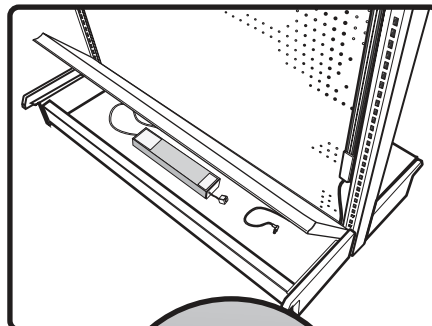
BASE SHELF

3

Place POWER SUPPLY underneath the BASE SHELF, and connect MALE end of bus bar to FEMALE connector of POWER SUPPLY.

3

CONNECT POWER SUPPLY



POWER SUPPLY

FEMALE

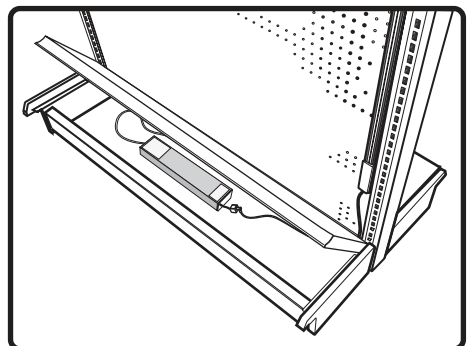
MALE

4

Replace BASE SHELF by sliding it in at an angle and lowering it in place, hiding the POWER SUPPLY. Be sure cord from bus bar slides in between the shelf and the back panel.

4

REINSTALL BASE SHELF



madix™

REV 02

REV#	ECM#	REVISION	BY	DATE	REV#	ECM#	REVISION	BY	DATE
00	13358	NEW ASY	SAM	8/15/13					
01	13529	NOTE FOR CONNECTOR POSITION	SAM	8/15/13					
02	16283	NOTE FOR LLVY/TRIMMING BUS BAR	SWD	5/12/15					

VERSA/LEDGE LIGHT ASSEMBLY

INSTALLATION INSTRUCTIONS

5

Install the SHELF by sliding the brackets into the slots at an angle as shown. Then rotate downwards so that it is securely installed.

6

Attach LEDGE LIGHT provided by Madix to shelf by snapping it onto the bottom of the shelf with the magnets attached. LEDGE LIGHT should be towards the front of shelf so light shines on products.

7

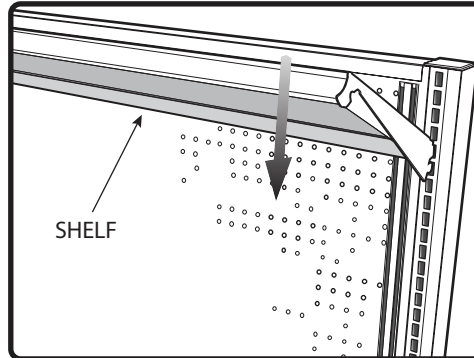
Install VERSA CONNECTOR by sliding under the back of the shelf until it attaches by the magnet. Make sure the prongs align and connect to the metal straps on the BUS BAR. Then connect the cord from the VERSA CONNECTOR to the LEDGE LIGHT. **Make sure the PRONGS from the CONNECTOR are at the BOTTOM!** If installed incorrectly, connector could damage ledge light.

8

Plug the power supply into an outlet. The lighting system should be complete. One power supply can power 10-48" lights or 13-36" lights. To adjust the shelf height, uninstall the shelf. Then lower or raise it to your desired location and repeat step 5 to reinstall the shelf.

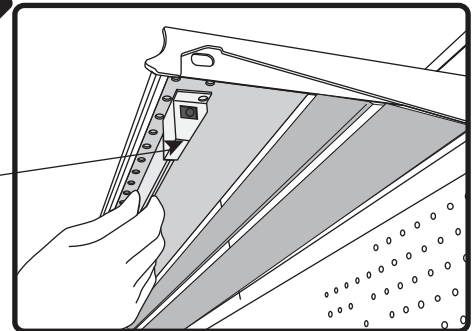
5

INSTALL SHELF



6

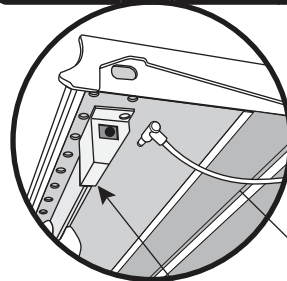
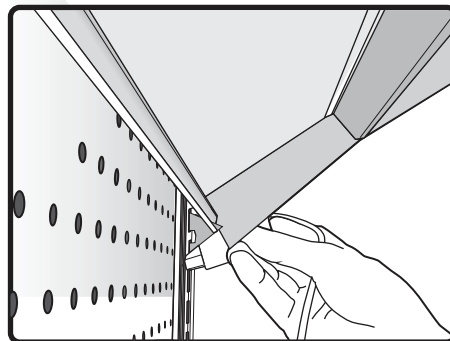
INSTALL LEDGE LIGHT



SLOPED EDGE TOWARD INTERIOR OF SHELF

7

CONNECT LIGHT TO VERSA CONNECTOR



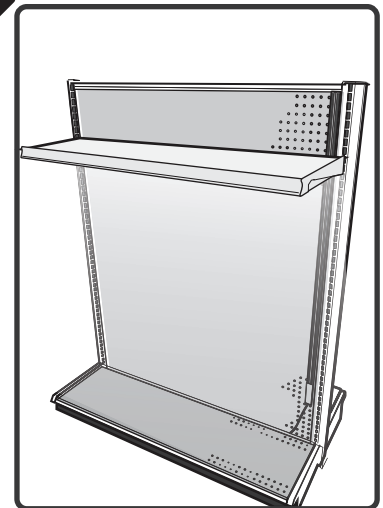
VERSA CONNECTOR PRONGS MUST BE AT BOTTOM!

CORD FROM VERSA CONNECTOR

LEDGE LIGHT

8

FINISHED ASSEMBLY



P.O. BOX 729 / TERRELL, TEXAS 75160 / 972.563.5744 / 800.776.2349
 P.O. BOX 177 / GOODWATER, ALABAMA 35072 / 205.839.6354 / 800.633.6282

REV: 02

REV#	ECN#	REVISION	BY	DATE
-				