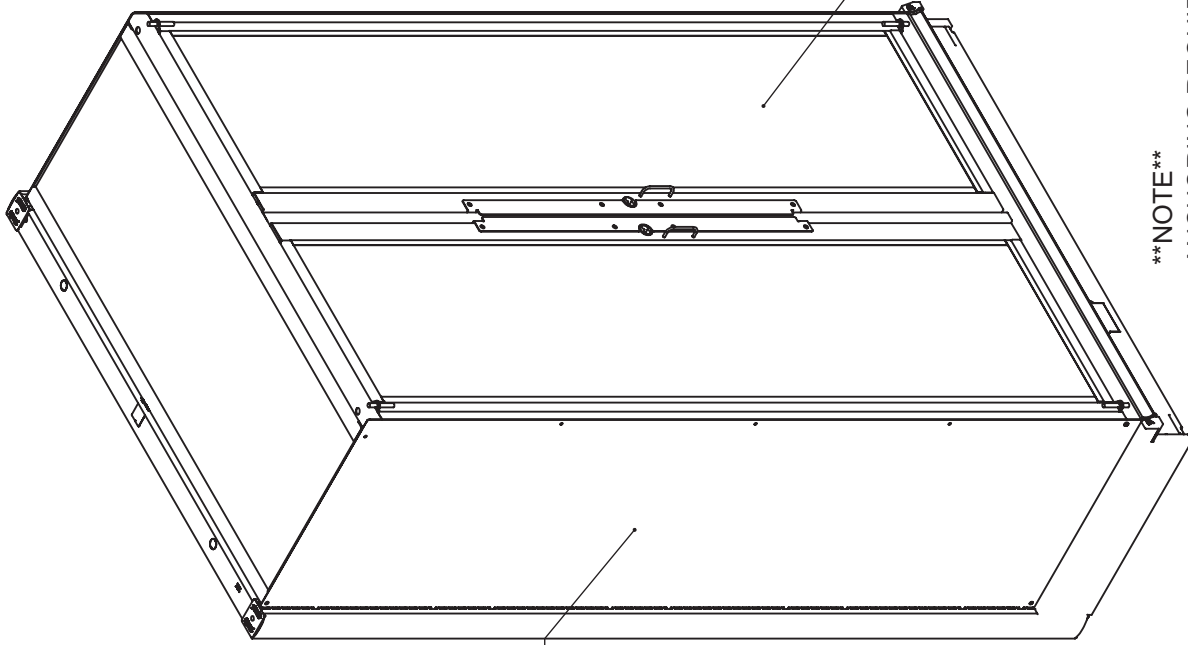


ASY FOR LSCGM AND LSCSP



STARTER INSTALLATION:

- A STARTER CONSIST OF (1) LSCGM AND (2) LSCSP
- IF CABINET IS A STAND ALONE UNIT, MOUNT BOTH SIDE PANELS AS SHOWN IN STEP 4.
- IF THERE WILL BE MULTIPLE CABINETS IN A RUN ONLY MOUNT THE END SIDE PANELS WITH SCREWS. LEAVE THE CENTER PANELS LOOSE (NO SCREWS).

ADD-ON INSTALLATION:

- A ADD-ON CONSIST OF (1) LSCGM AND (1) LSCSP
- IF ADD-ON CABINET IS NOT THE LAST CABINET IN A RUN, DO NOT USE SCREWS TO MOUNT THE SIDE PANEL.
- IF ADD-ON CABINETS IS THE LAST CABINET IN A RUN MOUNT THE SIDE PANEL USING THE PROVIDED SHEET METAL SCREWS. SEE STEP 4.

****NOTE****
 ANCHORING REQUIRED WHEN CABINET USED AS AN END CAP. ANCHORING ALSO REQUIRED WHEN MORE THAN ONE CABINET IS PLACED SIDE BY SIDE IN A WALL OR GONDOLA RUN



WARNING (For Wood Products Only): Drilling, sawing, sanding or machining wood products can expose you to wood dust, a substance known to the State of California to cause cancer. Avoid inhaling wood dust or use a dust mask or other safeguards for personal protection. For more information go to www.P65Warnings.ca.gov/wood.



INSTALLATION INSTRUCTIONS

THIS SUPPLIER PREEEXISTING MATERIAL IS EXCLUSIVELY THE INTELLECTUAL PROPERTY OF MADIX INC.
 ALL RIGHTS ARE RESERVED BY MADIX INC. © 2020
 20884 AL HWY 9 GOODWATER, AL 35072 256-639-6354
 PO BOX 728 TERRELL, TX 75160 214-515-5400

DESC: ASY FOR LSCGM AND LSCSP

DATE: 20230912

DESIGNER: KPRESLEY

SHEET 1 OF 4

1

2

3

4

D

C

B

A

D

C

B

A

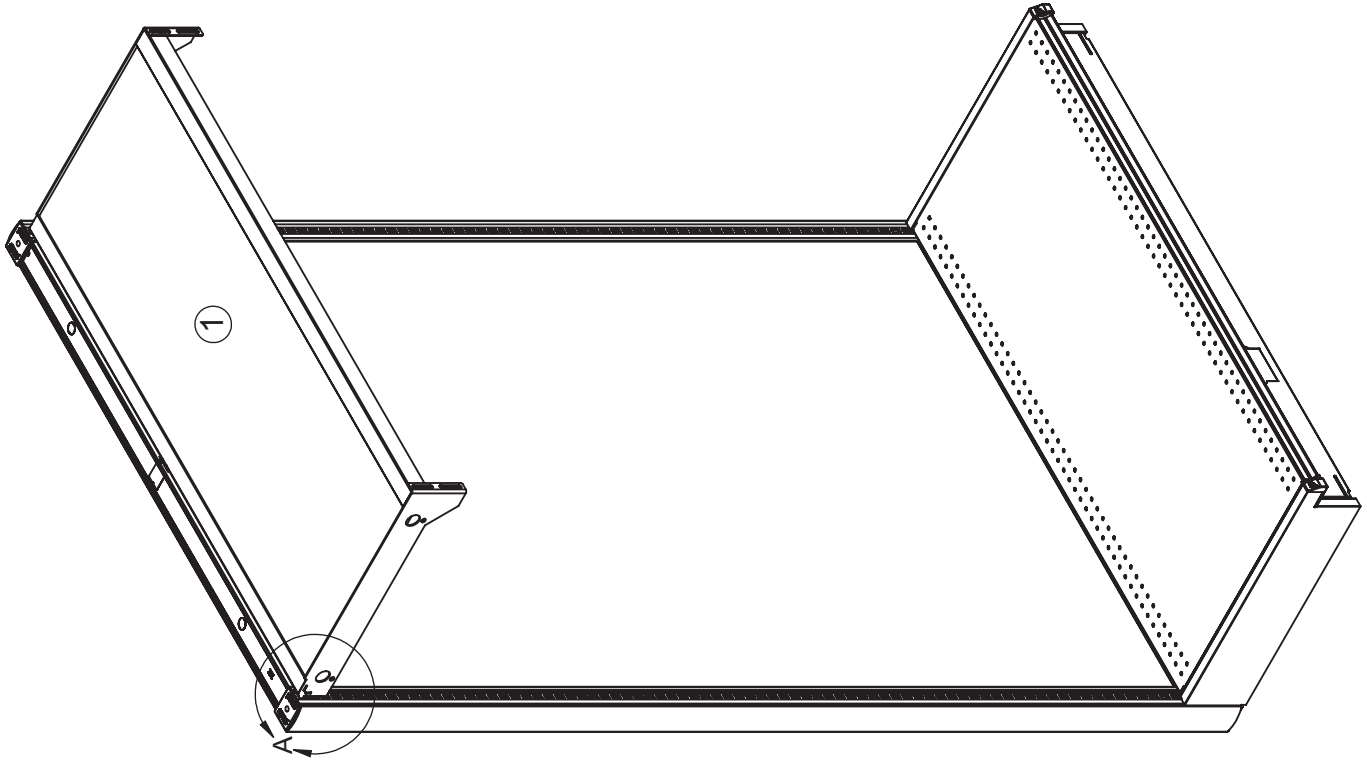
4

3

2

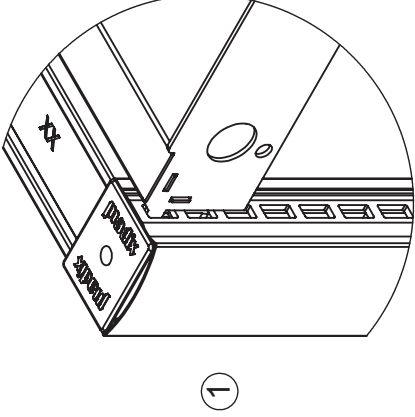
1

ASY FOR LSCGM AND LSCSP



STEP 1: INSTALL TOP FRAME WITH PLEX

-INSTALL THE TOP FRAME IN THE LAST AVAILABLE SLOT IN THE UPRIGHT.



DETAIL A
SCALE 1:4



WARNING (For Wood Products Only): Drilling, sawing, sanding or machining wood products can expose you to wood dust, a substance known to the State of California to cause cancer. Avoid inhaling wood dust or use a dust mask or other safeguards for personal protection. For more information go to www.P65Warnings.ca.gov/wood.



INSTALLATION INSTRUCTIONS

THIS SUPPLIER PREEEXISTING MATERIAL IS EXCLUSIVELY THE INTELLECTUAL PROPERTY OF MADIX INC. © 2020
20884 AL HWY 9 GOODWATER, AL 35072 256-639-6354
PO BOX 729 TERRELL, TX 75160 214-515-5400

DWG NO.:

ASY-80028969

CHANGE #:

500000026084

DESC: ASY FOR LSCGM AND LSCSP

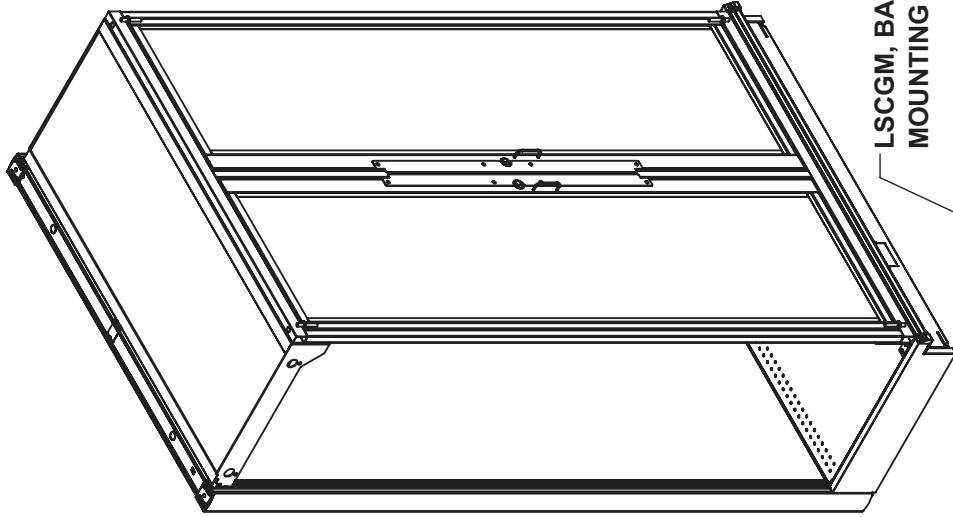
DATE: 20230912

DESIGNER: KPRESLEY

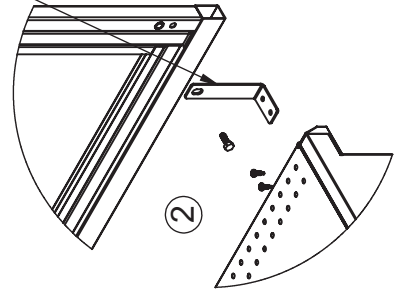
04

SHEET 2 OF 4

ASY FOR LSCGM AND LSCSP

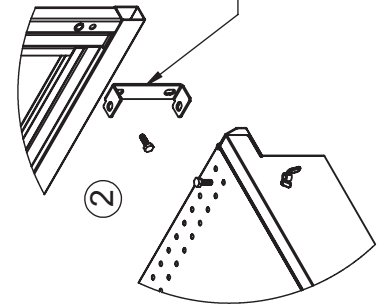


LSCGM, BASE MOUNTING BRACKET



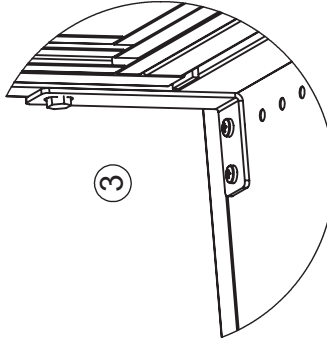
2

OR



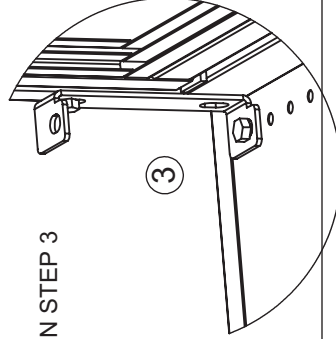
2

LSCGM, UNIVERSAL BASE MOUNTING BRACKET



3

OR



3

STEP 2: ATTACH BASE MOUNTING BRACKET TO PRE-ASSEMBLED DOOR (NOTE: MOUNTING BRACKET DESIGN MAY BE EITHER DESIGN DUE TO A RUNNING DESIGN CHANGE)
 - USE PROVIDED 3/4" SCREWS TO MOUNT THE BASE MOUNTING BRACKETS TO THE DOOR FRAME. ENSURING THAT THE SCREWS STAY SLIGHTLY LOOSE.

- PLACE PRE-ASSEMBLED DOOR FRAME ON BASE DECK WITH DOOR PULLS AND HINGES FACING OUTWARD.

- LINE UP RIV NUTS IN BACK OF DOOR FRAME WITH SLOTS IN UPPER BRACKETS AND INSERT THE 3/4" SCREWS INTO THE RIV NUTS TO SECURE THE FRAME TO THE UPPER FRAME.

STEP 3: SECURING THE DOOR FRAME TO BASE DECK.(NOTE: MOUNTING BRACKET DESIGN MAY BE EITHER DESIGN DUE TO A RUNNING DESIGN CHANGE)

- IF USING BASE MOUNTING BRACKET USE TWO 10-5/8" TEK SCREWS PROVIDED TO ATTACH THE DOOR FRAME ASSEMBLY TO THE BASE DECK VIA THE BASE MOUNTING BRACKETS INSTALLED IN THE PREVIOUS STEP. THE TEK SCREWS WILL NOT USE THE SHELF PERFORATIONS.

- IF USING UNIVERSAL BASE MOUNTING BRACKET USE THE 3/4" BOLTS PROVIDED TO ATTACH THE DOOR FRAME ASSEMBLY TO THE BASE DECK VIA THE BASE MOUNTING BRACKETS INSTALLED IN THE PREVIOUS STEP. THE BOLTS & WING NUTS WILL USE THE SHELF PERFORATIONS.

- THEN TIGHTEN THE 3/4" SCREWS IN STEP 2 TO SECURE THE DOOR FRAME ASSEMBLY..

- PLEASE DO NOT OVER TIGHTEN 10-5/8" TEK SCREWS IN STEP 3

WARNING (For Wood Products Only): Drilling, sawing, sanding or machining wood products can expose you to wood dust, a substance known to the State of California to cause cancer. Avoid inhaling wood dust or use a dust mask or other safeguards for personal protection. For more information go to www.P65Warnings.ca.gov/wood.

<p>INSTALLATION INSTRUCTIONS THIS SUPPLIER PREEEXISTING MATERIAL IS EXCLUSIVELY THE INTELLECTUAL PROPERTY OF MADIX INC. © 2020 ALL RIGHTS ARE RESERVED BY MADIX INC. © 2020 20884 AL HWY 9 GOODWATER, AL 35072 256-639-6354 PO BOX 129 TERRELL, TX 75160 214-515-5400</p>	DWG NO.:	ASY-80028969
	CHANGE #:	500000026084
DESC:	ASY FOR LSCGM AND LSCSP	04
DATE: 20230912	DESIGNER: KPRESLEY	SHEET 3 OF 4

ASY FOR LSCGM AND LSCSP

STEP 4: **MOUNT SIDE PANELS

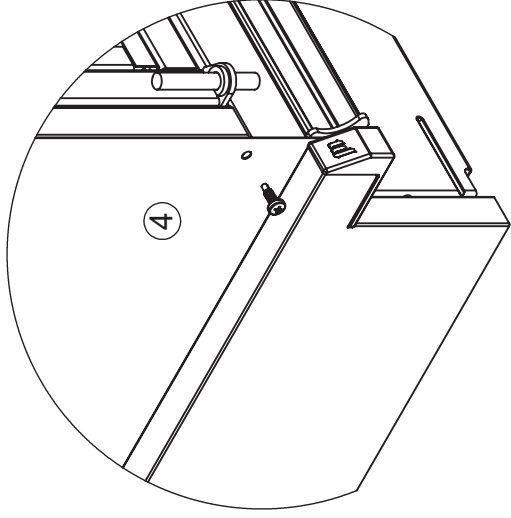
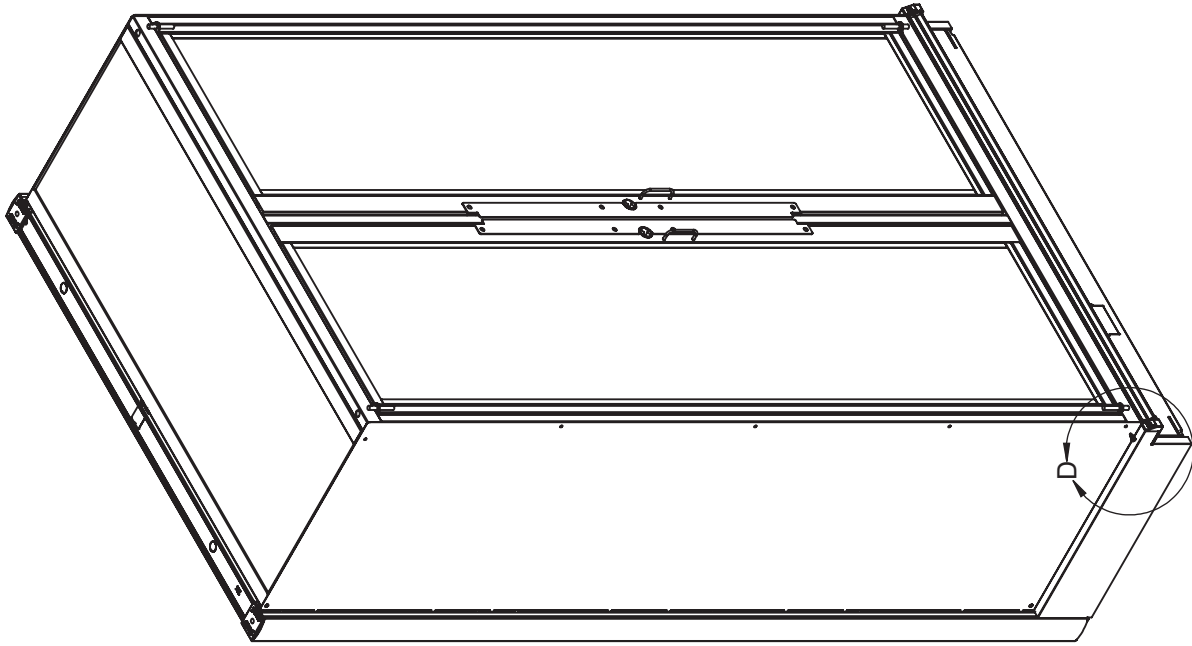
- INSTALL SIDE PANELS INTO UPRIGHT. PANELS SHOULD BE FLUSH AT THE TOP AND FRONT OF CABINET. PANEL SHOULD SIT 5/8" BELOW BASE DECK.

- **USE THE PROVIDED SHEET METAL SCREWS TO SECURE SIDE PANELS TO CABINET (5 PLACES EACH).

** IF PANEL WILL BE BETWEEN TWO CABINETS THEY DO NOT HAVE TO BE SECURED WITH SCREWS.

** PANELS ARE OPTIONAL BETWEEN CABINETS AND MAY NOT BE NECESSARY TO COMPLETE THE ASSEMBLY.

** ALWAYS SECURE THE PANELS ON EITHER END OF A RUN.



WARNING (For Wood Products Only): Drilling, sawing, sanding or machining wood products can expose you to wood dust, a substance known to the State of California to cause cancer. Avoid inhaling wood dust or use a dust mask or other safeguards for personal protection. For more information go to www.P65Warnings.ca.gov/wood.

madix

INSTALLATION INSTRUCTIONS

THIS SUPPLIER PREEEXISTING MATERIAL IS EXCLUSIVELY THE INTELLECTUAL PROPERTY OF MADIX INC. © 2020 ALL RIGHTS ARE RESERVED BY MADIX INC. © 2020 20884 AL HWY 9 GOODWATER, AL 35072 256-639-6354 PO BOX 728 TERRELL, TX 75160 214-515-5400

DESC: ASY FOR LSCGM AND LSCSP

DATE: 20230912

DESIGNER: KPRESLEY

SHEET 4 OF 4

DWG NO.:

ASY-80028969

CHANGE #:

500000026084

04