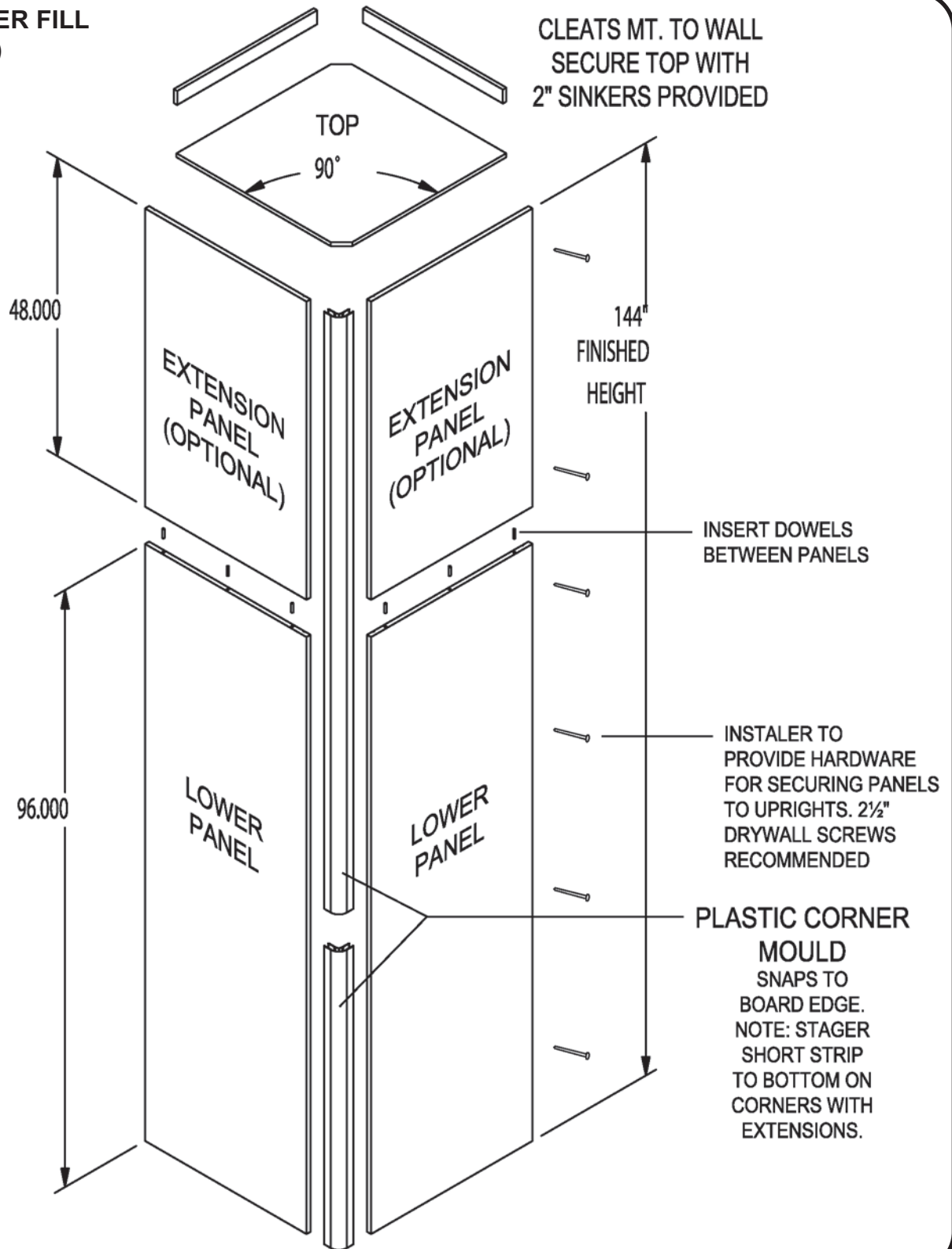


# BOX CORNER WITH EXTENSION

INSTALLATION INSTRUCTIONS

90° CORNER FILL  
BCETT(90)

CLEATS MT. TO WALL  
SECURE TOP WITH  
2" SINKERS PROVIDED



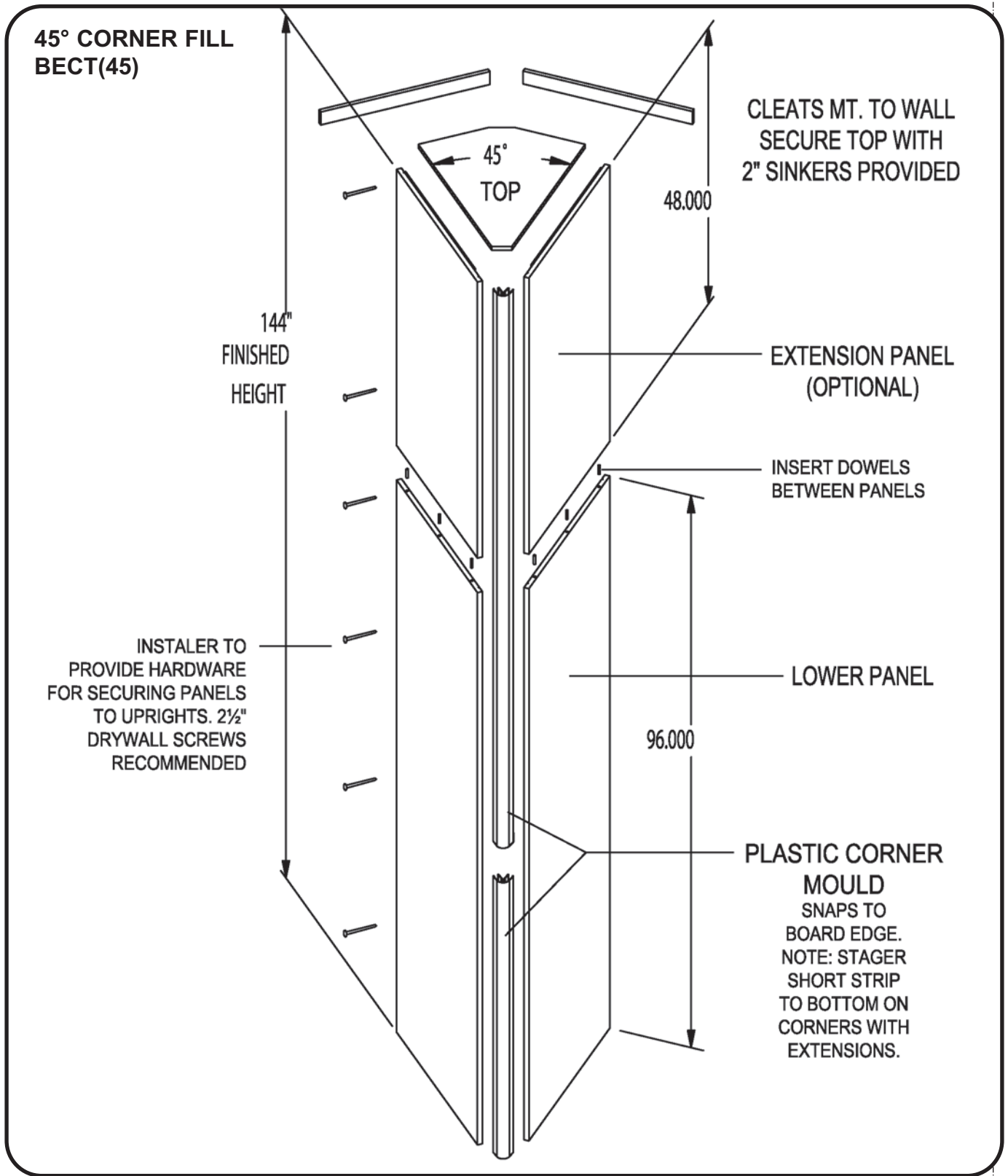
P.O. BOX 729 / TERRELL, TEXAS 75160 / 972.563.5744 / 800.776.2349  
P.O. BOX 177 / GOODWATER, ALABAMA 35072 / 205.839.6354 / 800.633.6282

REV

REV#	ECN#	REVISION	BY	DATE	REV#	ECN#	REVISION	BY	DATE
	AL3979		AJB	8/16/05					

# BOX CORNER WITH EXTENSION

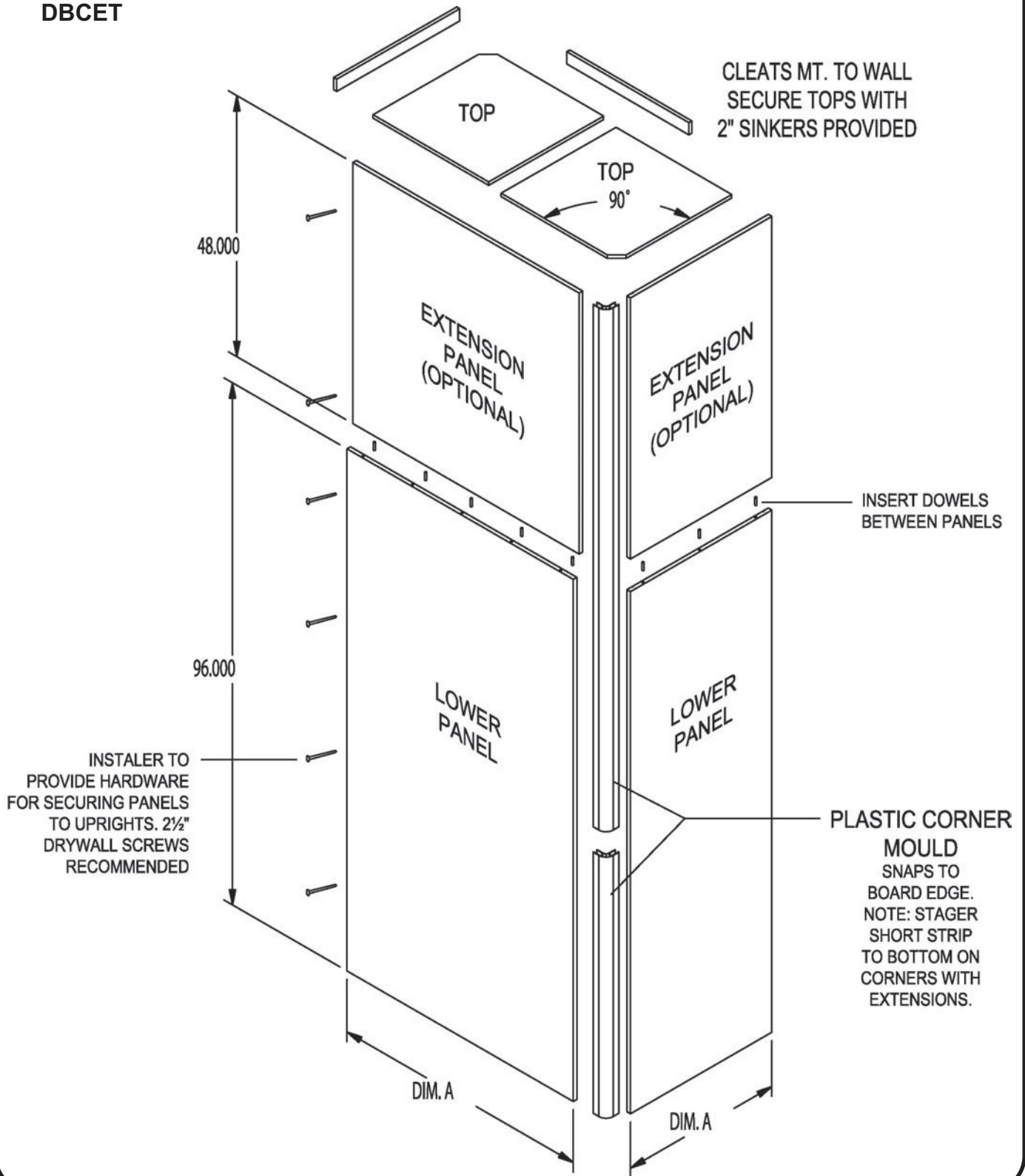
## INSTALLATION INSTRUCTIONS



# BOX CORNER WITH EXTENSION

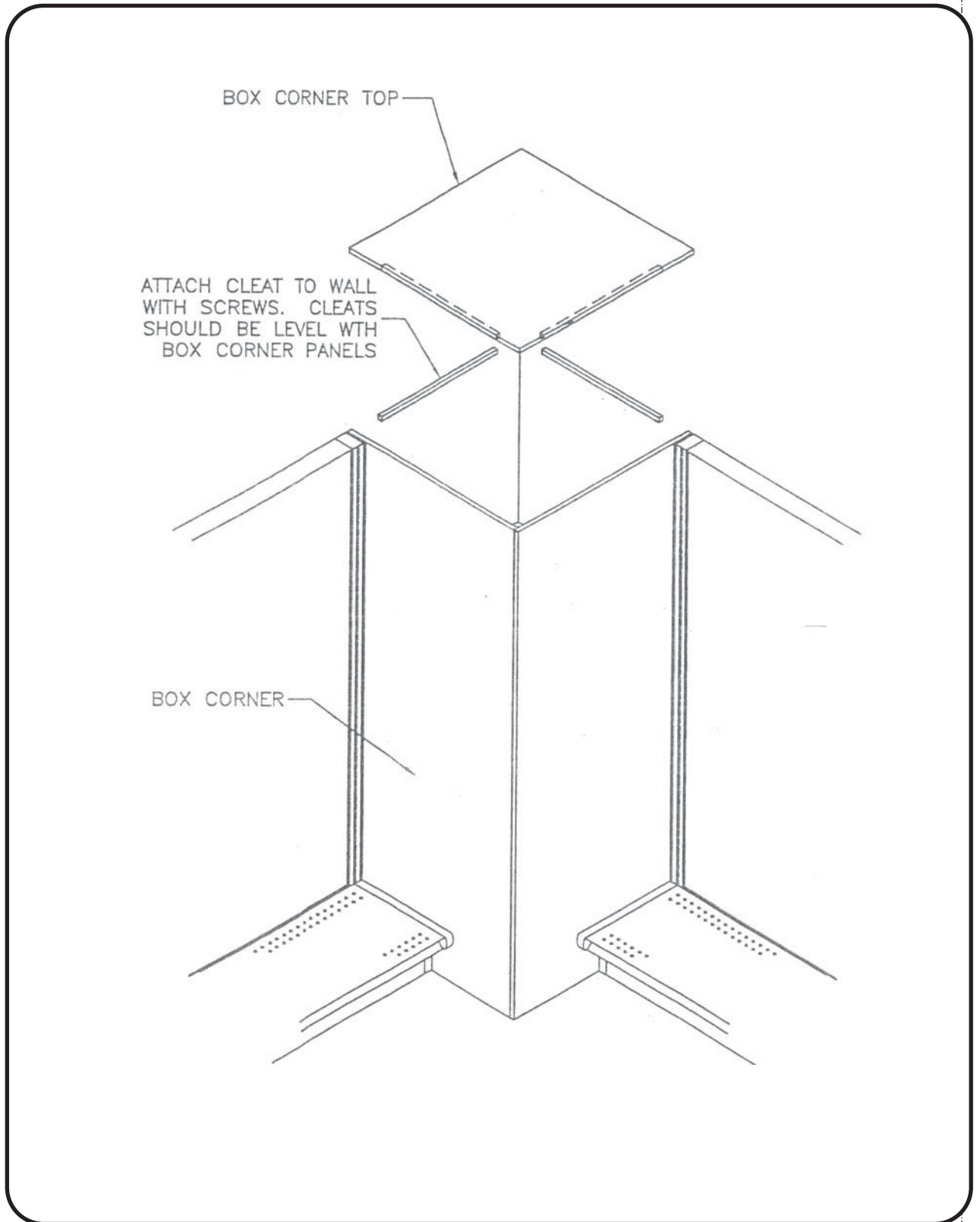
## INSTALLATION INSTRUCTIONS

### DOUBLECORNER FILL DBCET



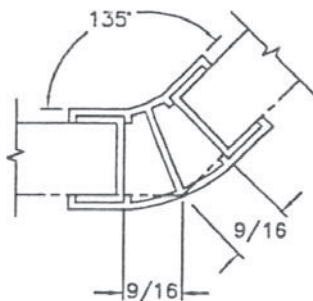
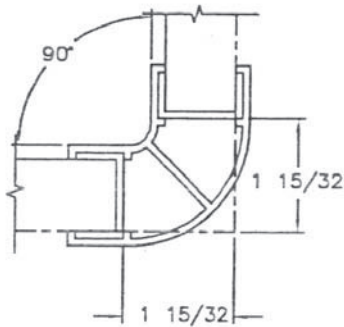
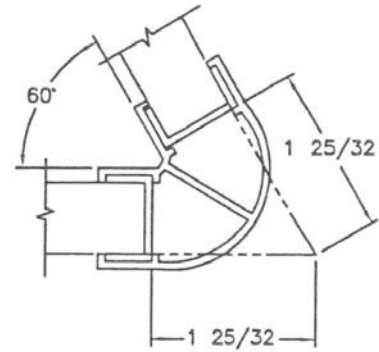
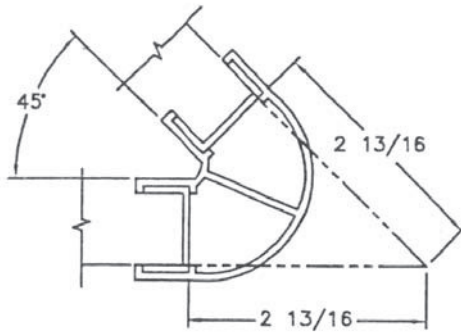
# BOX CORNER WITH EXTENSION

## INSTALLATION INSTRUCTIONS



# BOX CORNER WITH EXTENSION

## INSTALLATION INSTRUCTIONS



REQUIRED MOULDING ALLOWANCES  
FOR FIGURING  
WALL LENGTHS