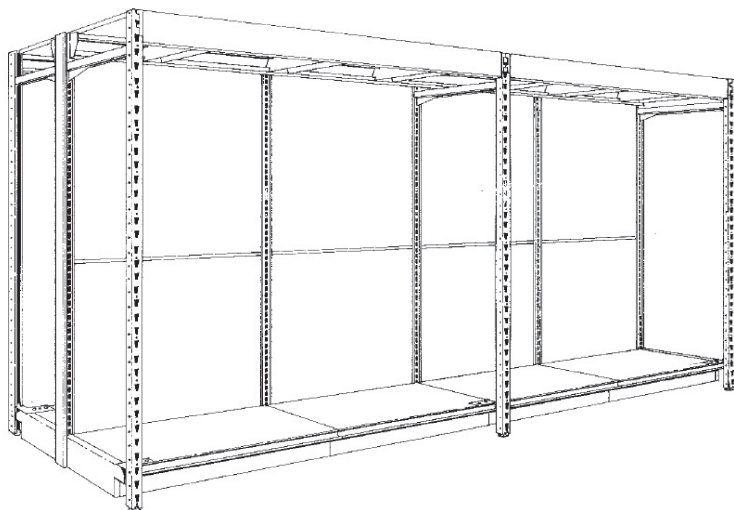


HYPERMAXI SYSTEM WITH WELDED ARM INSTALLATION INSTRUCTIONS

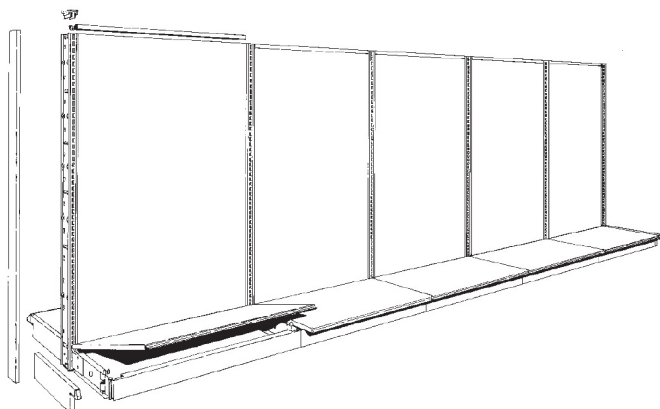
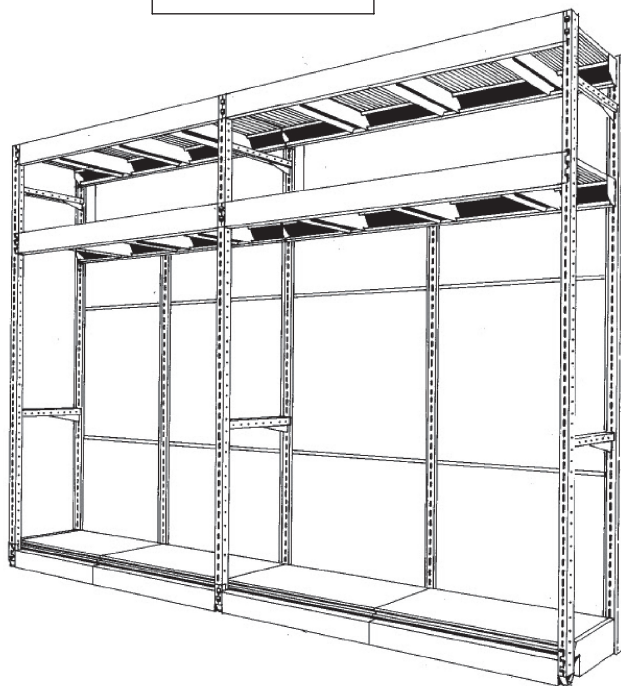


ALL CARTONS
CONTAINING
HYPERMAXI
PARTS ARE
LABELED
OPEN
6
SIXTH

PAGE 2-3 **PARTS IDENTIFICATION**
PAGE 4-6 **BASIC INSTALLATION**
PAGE 7 **INSTALLATION OF EXTRAS**
PAGE 8 **SAFETY / LOAD CAPACITY**

NOTE!

This publication is intended to be a generic installation instruction for Madix Hypermaxi and may possibly be subject to change as required by local building codes. Consult the building inspection department at job site.



Hypermaxi is an addition to Madix gondola or wall fixtures. See installation instruction ASY-046 to correctly install and level the fixture runs. If floor anchoring of the fixture is required, see ASY-357 for the correct procedure. Note that IT IS NOT REQUIRED TO ANCHOR THE HYPERMAXI UPRIGHTS, only the fixture base shoes or uprights.



WARNING (For Wood Products Only): Drilling, sawing, sanding or machining wood products can expose you to wood dust, a substance known to the State of California to cause cancer. Avoid inhaling wood dust or use a dust mask or other safeguards for personal protection. For more information go to www.P65Warnings.ca.gov/wood.

madix
INSTALLATION INSTRUCTIONS
THIS SUPPLIER PREEXISTING MATERIAL IS EXCLUSIVELY THE INTELLECTUAL PROPERTY OF MADIX INC. ALL RIGHTS ARE RESERVED BY MADIX INC. © 2020
20984 AL HWY 9 GOODWATER, AL 35072 256-839-6354
PO BOX 729 TERRELL, TX 75160 214-515-5400

DWG NO.:

ASY-083

CHANGE #:

500000023416

DESC: HYPERMAXI

REV. 07

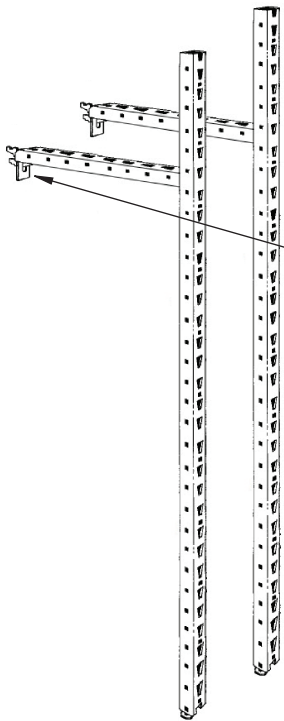
DATE: 20201222

DESIGNER: DBAILEY

SHEET 1 OF 8

PARTS IDENTIFICATION

HYPERMAXI UPRIGHTS



...-12 IS FOR
MOUNTING LIGHT
FIXTURES ABOVE
THE UPRIGHT ARM
(SEE PAGE 7)

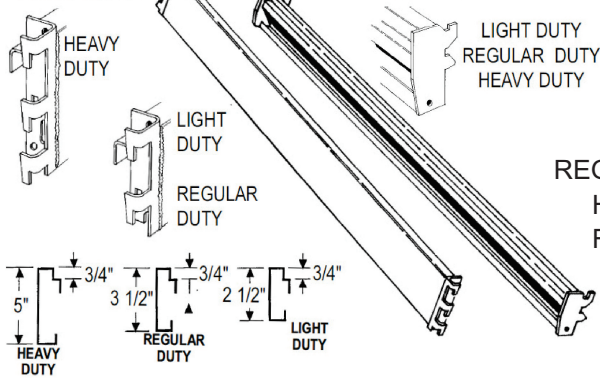
HMU() ()-12
HYPERMAXI UPRIGHT
UPRIGHT HEIGHT
UPRIGHT DEPTH
*OPTIONAL
UPRIGHT ARM POSITION

UPRIGHT DEPTH (in)	ACTUAL DEPTH (in)
18	20
20	22
22	24
24	26
30	32

UPRIGHT HEIGHT (in)	ACTUAL HEIGHT (in)
72	72 1/8
78	78 1/8
84	84 1/8
90	90 1/8
96	96 1/8
102	102 1/8
108	108 1/8
114	114 1/8
120	120 1/8
126	126 1/8
132	132 1/8
138	138 1/8
144	144 1/8

FRONT BEAMS

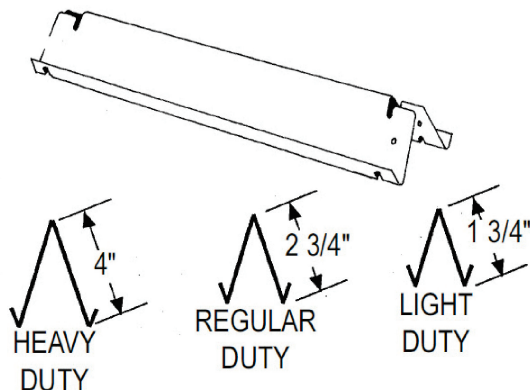
REAR BEAMS



HMRDFB()
HYPERMAXI
LIGHT DUTY = LD
REGULAR DUTY = RD
HEAVY DUTY = HD
FB = FRONT BEAM
RB = REAR BEAM
BEAM LENGTH

BEAM LENGTH (in)	FRONT BEAM ACTUAL LENGTH (in)	REAR BEAM ACTUAL LENGTH (in)
36	33 15/16	35 21/32
48	45 15/16	47 21/32
72	69 15/16	71 21/32
84	81 15/16	83 21/32
96	93 15/16	95 21/32

DECK SUPPORTS



RDWSDS()
LIGHT DUTY = LD
REGULAR DUTY = RD
HEAVY DUTY = HD
WIDE SPAN
DECK SUPPORT
FRAME DEPTH

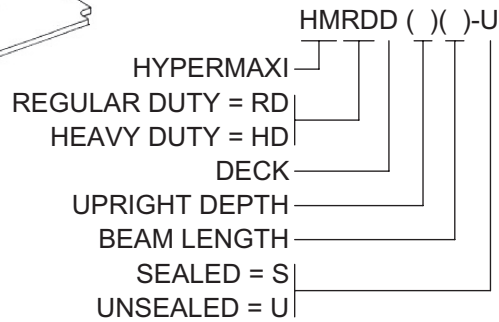
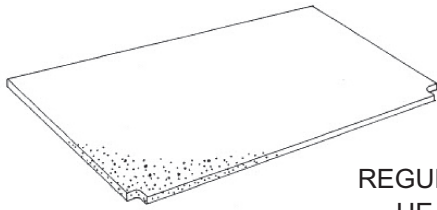
UPRIGHT DEPTH (in)	ACTUAL DEPTH (in)
18	20
20	22
22	24
24	26
30	32



THIS SUPPLIER PREEEXISTING MATERIAL IS EXCLUSIVELY THE INTELLECTUAL PROPERTY OF MADIX INC. ALL RIGHTS ARE RESERVED BY MADIX INC. © 2020

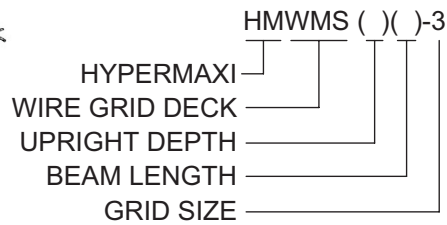
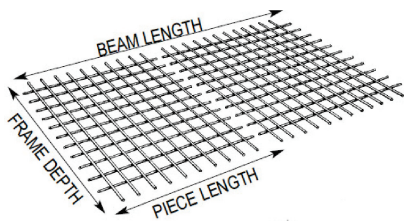
PARTS IDENTIFICATION

PARTICLE BOARD DECK



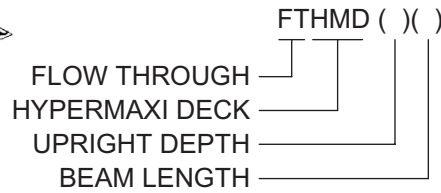
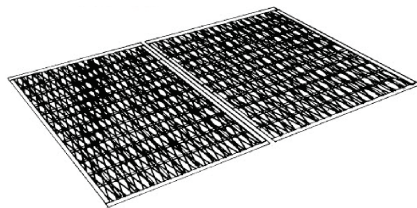
UPRIGHT DEPTH (in)	ACTUAL DEPTH (in)	PIECE LENGTH (in)	ACTUAL LENGTH (in)
18	18	36	35 17/32
20	20	48	47 17/32
22	22	60	59 17/32
24	24	72	71 17/32
30	30	84	83 17/32
		96	95 17/32

WIRE GRID

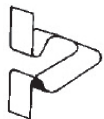


UPRIGHT DEPTH (in)	ACTUAL DEPTH (in)	PIECE LENGTH (in)	ACTUAL LENGTH (in)
18	17 3/4	24	23 3/4
20	19 3/4	36	35 3/4
22	21 3/4	48	47 3/4
24	23 3/4		
30	29 3/4		

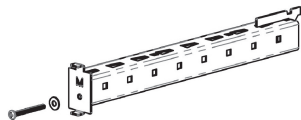
FLOW THROUGH



BEAM LENGTH (in)	GRID 1 (in)	GRID 2 (in)	# OF DECK SUPPORTS
36	36	-	2
48	48	-	2
60	24	36	4
72	36	36	4
84	36	48	4
96	48	48	4



DART CLIP
WDC-50
PACK OF 50



SPECIAL HMU
CENTER SUPPORT ARM
SHMUSCA-ND



HYPERMAXI
LEVELER COVER
HMUCA
6" x 2" x 2"



HYPERMAXI
ATTACHMENT CLIP
HMAC-2
2 PACK



THIS SUPPLIER PREEEXISTING MATERIAL IS EXCLUSIVELY THE INTELLECTUAL PROPERTY OF MADIX INC. ALL RIGHTS ARE RESERVED BY MADIX INC. © 2020

BASIC INSTALLATION

1) Run levelers on Hypermaxi Uprights all the way up. Slide leveler cover, if used, approximately 6" up Hypermaxi Upright and secure with tape.

2) If plastic Upright End Covers (UEC) are used, they should not be installed at this point. If metal Upright End covers (VS), they should be installed at this point.

3) Hold Hypermaxi Upright at an angle as shown and insert bracket into the sixth slot from the top of the fixture Upright. If HMU-()(-)12 is used, insert into the 12th slot down. The bottom of the Hypermaxi Upright will pivot in toward base when bracket is properly engaged.

4) Pull down on the bracket arm, using your weight to properly seat bracket in Upright

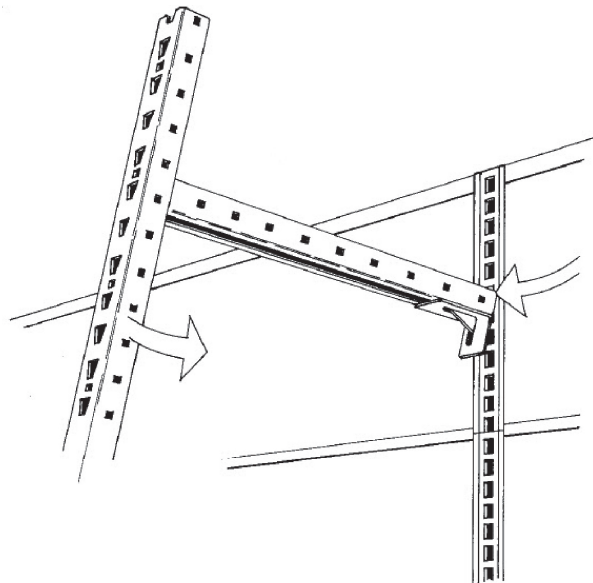
5) Repeat steps 4-5 on opposite side of fixture if it is a gondola.

6) Insert screw as shown through fixture slotting and Hypermaxi Upright bracket. Secure with washer and nut on other side.

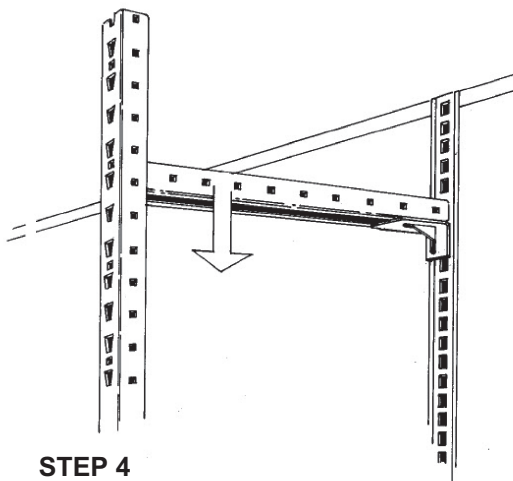


STEP 1

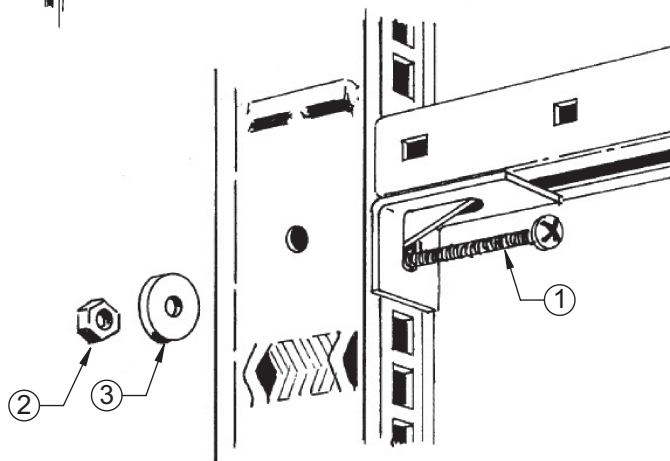
HMU HARDWARE PACK (7200-093)		
ITEM	DESCRIPTION	QTY
1	1/4-20 X 3 1/2 PHILIPS TRUSS HEAD MACHINE SCREW	1
2	1/4-20 HEX NUT	1
3	1/4 FLAT WASHER	1



STEP 3



STEP 4



STEP 6

BASIC INSTALLATION

7) Run Hypermaxi Upright levelers down to floor. Untape leveler cover, if used, and slide cover down to floor.

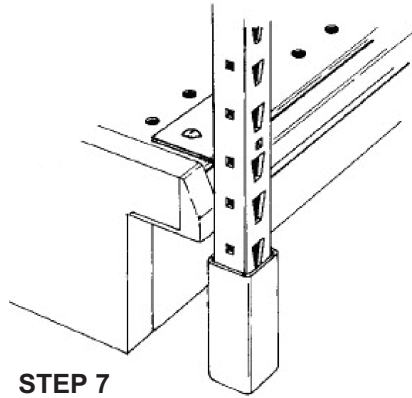
8) Insert the attachment clip into Hypermaxi Upright and rotate 90 degrees.

9) Select required attachment clip positioning from the diagram below, then secure attachment clip to base shelf with fasteners in hardware pack.

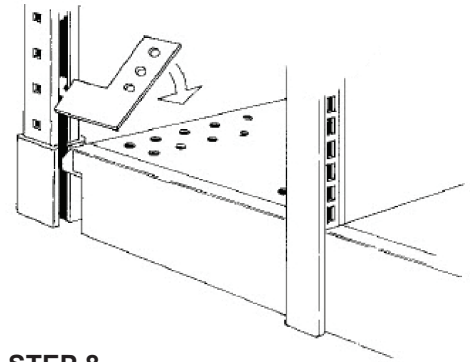
10) Install beams at required heights. For front and rear beam sizes and bracket shapes, refer to Parts Identification on page 2.

11) Press Dart Clips through Beam bracket and Upright on the underside of Beam as shown. Insert 1 Dart Clip at each end of all Beams. Insert Dart Clips from inside Upright when used with LD Beams.

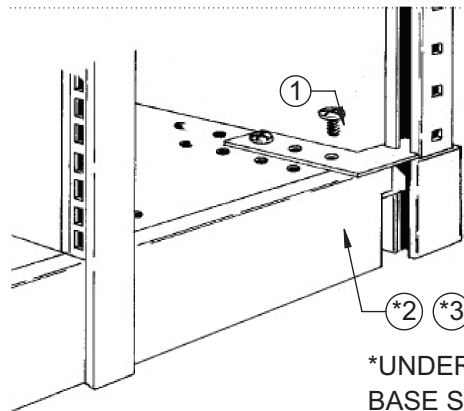
HMAC-2 HARDWARE PACK (3029848)		
ITEM	DESCRIPTION	QTY
1	1/4-20 X 1/2 PHILIPS TRUSS HEAD MACHINE SCREW	4
2	1/4-20 HEX NUT	4
3	1/4 FLAT WASHER	4
4	#8 X 1/2 HEX HEAD SHEET METAL SCREW	4



STEP 7

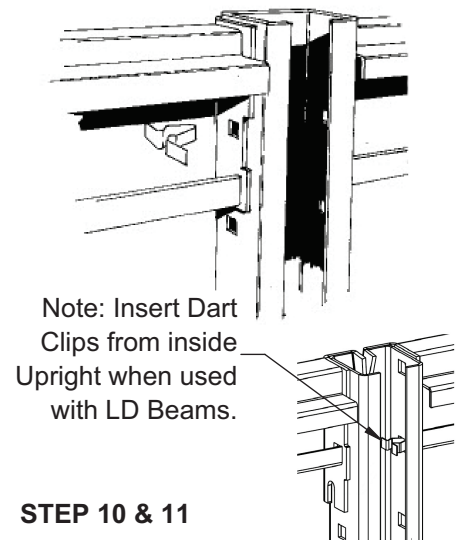


STEP 8



STEP 9

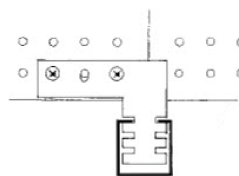
*UNDER
BASE SHELF



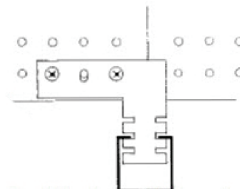
STEP 10 & 11

IMPORTANT:

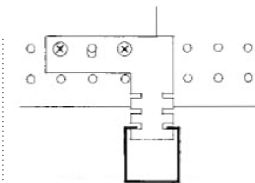
ANY BEAM USED AS A PRODUCT RETAINER SHOULD BE BOLTED TO HYPERMAXI UPRIGHTS ON BOTH ENDS OF THE BEAM.



Standard positioning of the attachment clip to the Base Shelf and the Upright



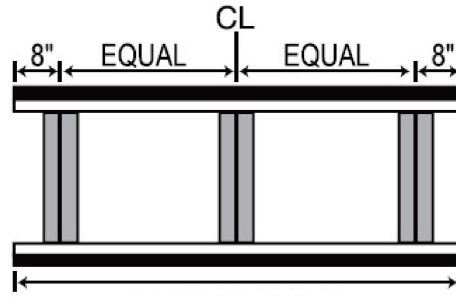
Positioning of the attachment clip to the Base Shelf and the Upright if M25 tag mold and BECE Base End Covers are used.



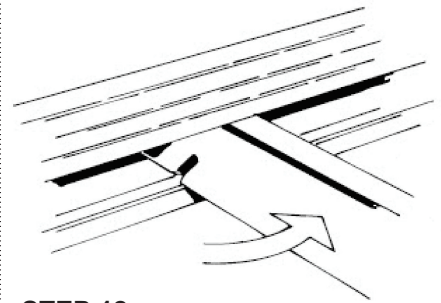
Positioning of the attachment clip to the Base Shelf and the Upright if ANY WIRE BINNING is used on the Base Shelf.

BASIC INSTALLATION

12) Holding the Deck Support at an angle to the Beam, squeeze the open side and insert into the Beam, then swing the free end around to the opposite Beam. Squeeze the open side and insert into the Beam.

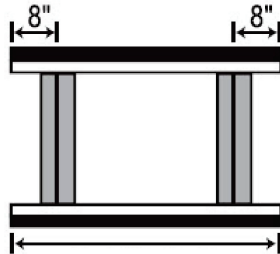


5', 6', 7', 8' BEAMS
Wood Decks... 3 Deck Supports

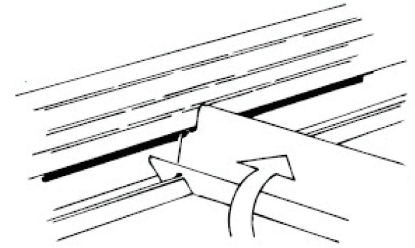


STEP 12

13) Squeeze the open side of the Deck Support at each end inside the Beam and rotate upwards as shown.

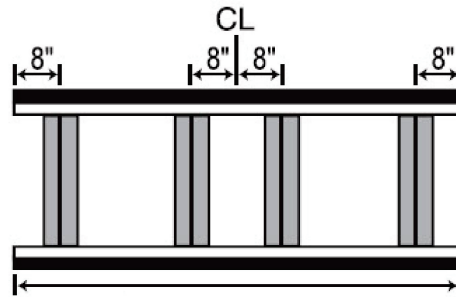


3', 4' BEAMS
All Decks... 2 Deck Supports

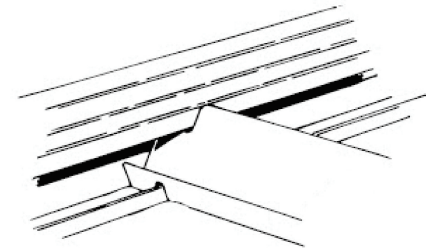


STEP 13

14) Correct installed position will look as shown. See layout diagram for quantity of Deck Supports per beam length. Supports may be slid or tapped into locations as shown.



5', 6', 7', 8' BEAMS
Wire Grid
& Flow Through Decks... 4 Deck Supports

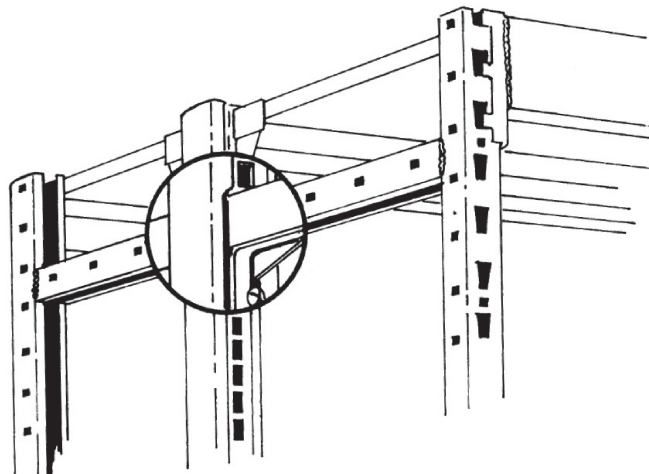


STEP 14

15) Lay the Decks on the Deck Supports. The notches on the particle board Decks are on the front edge to accommodate the Hypermaxi Upright.

16) Trim the UEC-() () , Upright End Covers, to fit over the Hypermaxi Upright bracket prior to installing them.

17) Install Upper Shelves and accessories into the basic fixture Upright.



STEP 16

INSTALLATION OF EXTRAS

18) Hold the Center Support Arm at an angle as shown and insert bracket into the basic fixture Upright and pull down on the bracket arm, using your weight to properly seat bracket in Upright.

19) Pull outward on the Hypermaxi Upright and swing the Center Support Arm in behind the Upright. Align the mounting plate holes with the Upright slots and secure with the fasteners as shown.

20) There are 2 means of securing the light fixture to the Deck Support. Fasteners are provided for either one.

1. Use the self drilling Tek-2 screw as shown. This runs a slight risk of drilling into the interior wiring of the light fixture

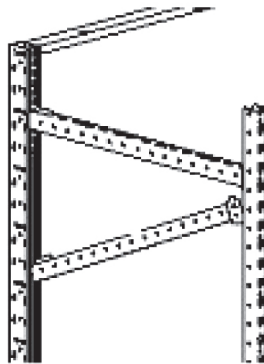
OR

2. Use the screw and nut, as shown. This will require removing the light fixture cover.

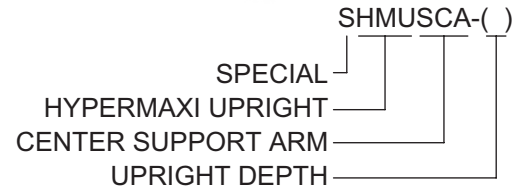
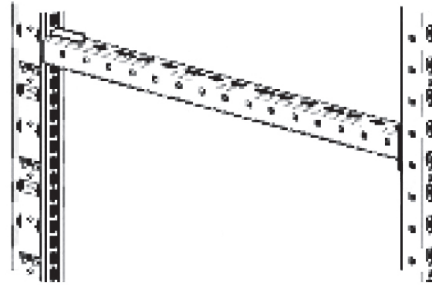
21) Using the self-drilling screw, secure the reflector to the light fixture as shown.

NOTE: The Hypermaxi Center Support Arm must be installed at the approximate midpoint of the Hypermaxi Upright and above the installed Upper Shelves. If 2 support arms are used on an Upright, they should be equally spaced.

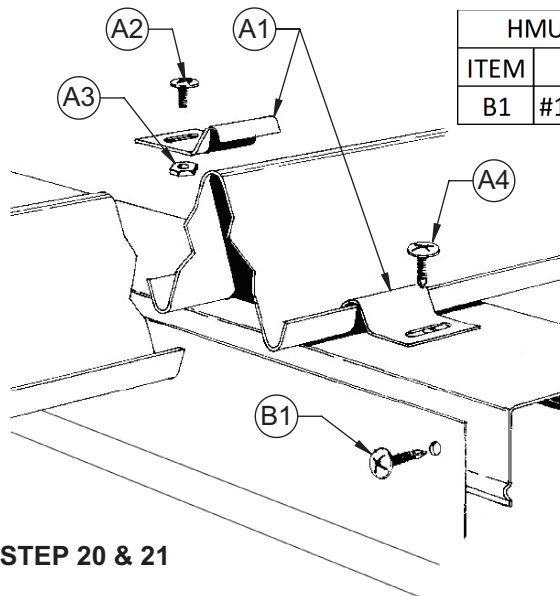
SHUMSCA HARDWARE PACK		
ITEM	DESCRIPTION	QTY
1	1/4-20 X 2 1/2 ROUND HEAD MACHINE SCREW	1
2	1/4 FLAT WASHER	1



STEP 18 & 19

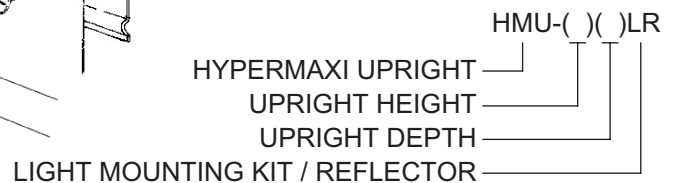


WS/HMLMK LIGHT MOUNTING KIT		
ITEM	DESCRIPTION	QTY
A1	WIRE SHELF CLIP	4
A2	#8-32 X 1/2 PHILIPS PAN HEAD MACHINE SCREW	4
A3	#8-32 X 1/2 HEX/KEPS NUT	4
A4	#8 X 1/2 PHILIPS PAN HEAD, TEK-2 SHEET METAL SCREW	4



STEP 20 & 21

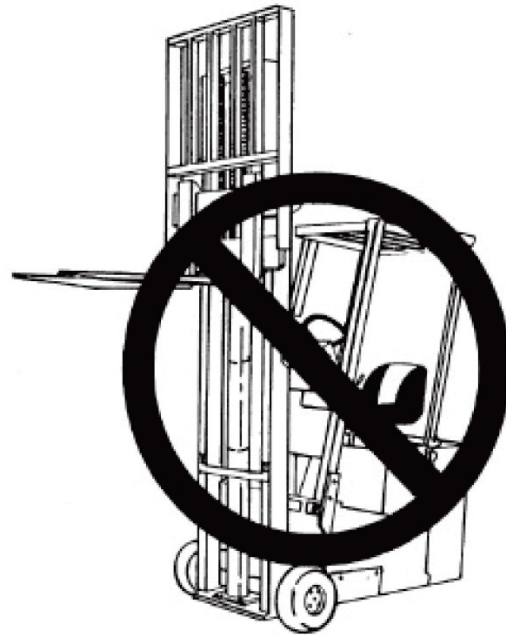
HMU-BSQ-LR HARDWARE PACK (7200-177)		
ITEM	DESCRIPTION	QTY
B1	#10 X 1/2 PHILIPS PAN HEAD, TEK-3	3



THIS SUPPLIER PREEEXISTING MATERIAL IS EXCLUSIVELY THE INTELLECTUAL PROPERTY OF MADIX INC. ALL RIGHTS ARE RESERVED BY MADIX INC. © 2020

SAFETY / LOAD CAPACITY

HAND STACK ONLY!
POWERED FORK TRUCKS OR
STACKERS ARE NOT RECOMMENDED
FOR USE ON HYPERMAXI SHELVING



MAXIMUM BEAM LOAD CAPACITY PER BEAM PAIR

BEAM LENGTH (in)	LIGHT DUTY (lb)	REGULAR DUTY (lb)	HEAVY DUTY (lb)	# OF DECK SUPPORTS
36	1000	1600	3000	2
48	1000	1600	3000	2
60	1000	1600	3000	3
72	1000	1600	3000	3
84	1000	1600	3000	3
96	1000	1600	3000	3

-Based on evenly distributed loads
 -Based on 96" Beam length, all frame widths

FIXTURE HEIGHT-TO-BASE-WIDTH:

If the height of the Upright exceeds 6 times the space between the Upright and Shoe leveler, the system must be secured in one of the following configurations:

- For Gondolas, Base Shoe Levelers must be anchored to the floor as shown in ASY-357
- For Walls, Base Shoe Levelers AND Upright Levelers must be anchored to the floor.



THIS SUPPLIER PREEXISTING MATERIAL IS EXCLUSIVELY THE INTELLECTUAL PROPERTY OF MADIX INC. ALL RIGHTS ARE RESERVED BY MADIX INC. © 2020